



AutomationStore.com

Automation Parts Made Internet Easy

B Series





Table of Contents

B Series	3-49
Features and Benefits	3
How to Order	4-5
Length Adders	6
5/16" Bore Cylinder	7-8
7/16" Bore Cylinder	9-11
9/16" Bore Cylinder	12-14
3/4" Bore Cylinder	15-18
7/8" Bore Cylinder	19-21
1-1/16" Bore Cylinder	22-25
1-1/4" Bore Cylinder	26-28
1-1/2" Bore Cylinder	29-32
1-3/4" Bore Cylinder	33-34
2" Bore Cylinder	35-37
2-1/2" Bore Cylinder	38
3" Bore Cylinder	39
Adjustable Cushion Cylinders	40-41
Single Acting with Magnet Cylinders	42-45
Mounting Nuts	46
Nose Mounting Brackets	47
Pivot Mounting Brackets	48
Rod Clevis	49
Position Indicating Switches	50-58



The **B Series** is a stainless steel body air cylinder line that is the perfect solution for tight design budgets. This cylinder is reliable and is designed and built to maximize performance. It will exceed all of your light-duty cylinder application requirements. The B Series comes standard with a multitude of value-added features such as stainless steel piston rods, roll-formed threads at both ends of the piston rod, and pre-lubed for non-lube added service. Furthermore, AutomationStore.com has the design capabilities to customize a product for your specific application. These are just a sample of things that make the B Series the *Superior Interchangeable* round body air cylinder line.

Piston Rod

The type 303 stainless steel **piston rod** is ground, polished, and roller burnished for a mirror finish to ensure corrosion-free longevity.

Rod Thread

Roll-formed **rod threads** (at both ends) ensure a durable customer-end connection as well as piston to rod connection.

Rod Bushing

Oil impregnated sintered bronze **rod bushing** provides excellent wear resistance and anti-friction qualities for smooth operation and long life.

End Caps

The **end caps** are made from a high strength aluminum alloy.

Ports

Unrestricted (full-flow) **ports** in conjunction with **rectangular slots** on the piston-mating surface (at both ends) enable the air to work on a larger piston area for effortless breakaway (even at low pressures).

Tube

The type 304 stainless steel **tube**, drawn and polished to a micro-inch finish on the I.D., enables low friction and longevity.

Crimp

The cylinder body is attached to the end caps using innovative assembly equipment that ensures a consistent and reliable double rolled-in **crimp**.

Piston

High strength aluminum alloy **piston** with blow-by flats (double acting only) ensure proper and rapid seal inflation. Piston rod connections are threaded (roll-formed threads), sealed with Loctite Threadlocker®, torqued, and staked for a solid, leak-proof connection.

Piston Seals

Low friction Buna N "U" cup **pistons seals** (optional low and high temperature seals) are wear compensating for millions of maintenance free cycles.

Magnet

Magnetic band position indication is optional in 9/16" – 3" bore sizes. The **magnet** does not affect the overall length of the cylinder 3/4" – 3" (bore sizes - double acting only) but does add .250" to the overall length of the 9/16" bore cylinders.

Rod Seal

The low friction Buna N "U" cup **rod seal** (optional low and high temperature seals) is wear compensating to ensure longevity.

Pre-Lubricated

Pre-lubricated with our specially formulated oil based compound for extensive maintenance free performance.

Threadlocker® is a registered trademark to the Loctite Corporation.



Standard Specifications:

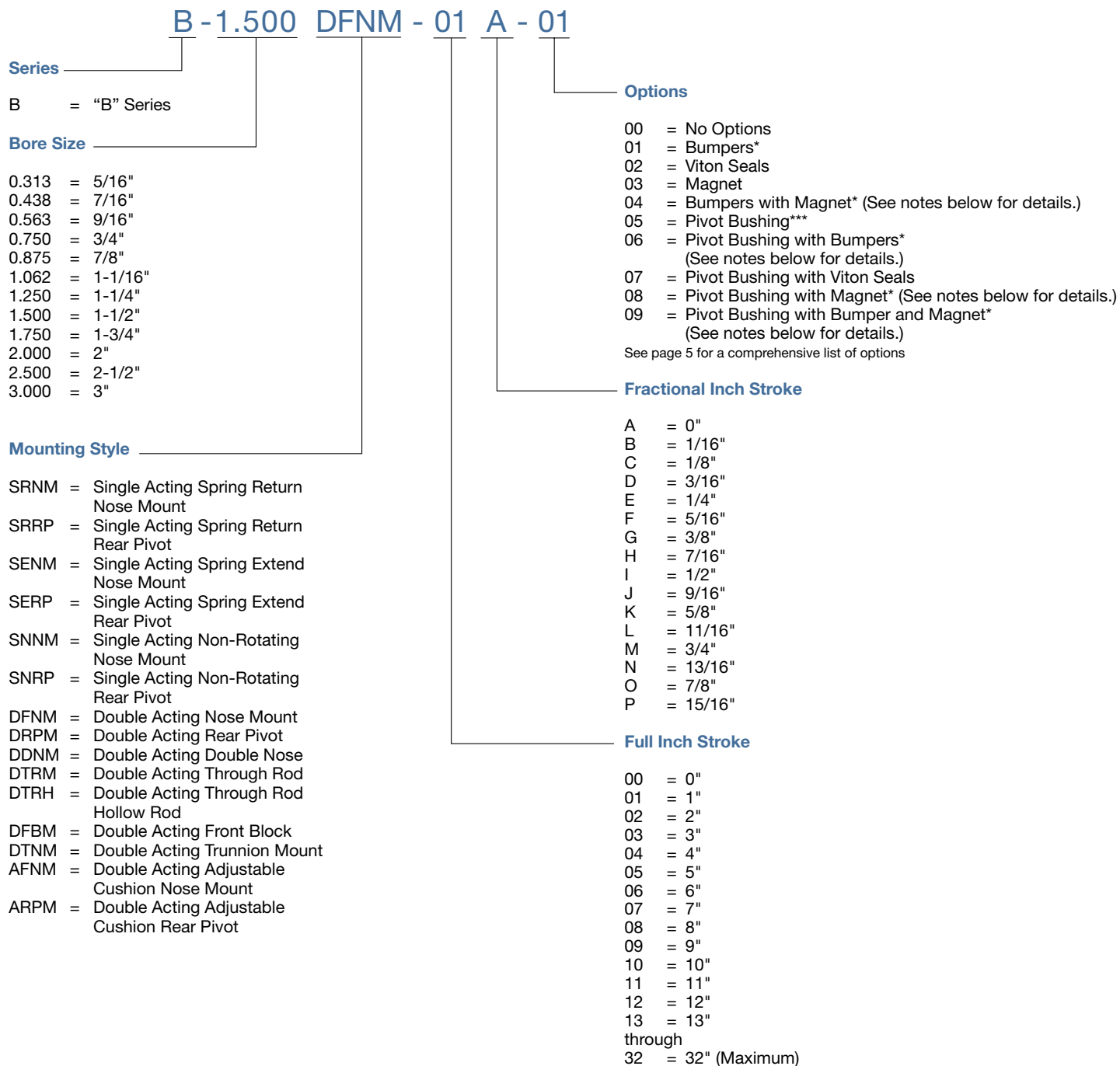
- 303 stainless steel piston rods are standard
- 304 stainless steel cylinder tube
- Aluminum head and caps
- Nominal pressure rating is 250 psi air
- Twelve bore sizes – 5/16" – 3"
- Standard temperature -10°F to +165°F
- Single and double acting
- Double rods

Optional Specifications:

- Magnetic pistons
- Adjustable cushions
- Double rods
- High and low temperature seals
- Rod wipers



How To Order – Base Models



* Bumpers available on 9/16" through 3" Bore Cylinders. See specific drawing/section and/or length adder charts on page X for length adder information. (N/A on AFNM and ARPM types).

** Magnet available on 9/16" Bore. See specific drawing/section and/or length adder charts on page X for length adder information.

*** Pivot Bushing standard on 5/16", 9/16", 2", 2-21/2", and 3" bore sizes. Optional on all other Rear Pivot cylinders.



How To Order – Standard B Series Options

Standard M Series Options

- 01 = Bumpers
- 02 = Viton® Seals
- 03 = Magnet
- 04 = Bumpers with Magnet
- 05 = Pivot Bushing
- 06 = Pivot Bushing with Bumpers
- 07 = Pivot Bushing with Viton® Seals
- 08 = Pivot Bushing with Magnet
- 09 = Pivot Bushing with Bumper and Magnet
- 20 = Port Rotated with No Options
- 30 = Rod Wiper with No Options
- 31 = Rod Wiper with Bumpers
- 32* = Rod Wiper with Viton® Seals
- 33 = Rod Wiper with Magnet
- 34 = Rod Wiper with Bumpers and Magnet
- 35 = Rod Wiper with Pivot Bushing
- 36 = Rod Wiper with Bumpers and Pivot Bushing
- 37 = Rod Wiper with Viton® Seals and Pivot Bushing
- 38 = Rod Wiper with Magnet and Pivot Bushing
- 39 = Rod Wiper with Bumpers, Magnet and Pivot Bushing
- 100 = Low Temp Seals
- 101 = Low Temp Seals and Bumpers
- 103 = Low Temp Seals and Magnet
- 104 = Low Temp Seals, Bumpers and Magnet
- 105 = Low Temp Seals and Pivot Bushing
- 106 = Low Temp Seals, Bumpers and Pivot Bushing
- 108 = Low Temp Seals, Magnet and Pivot Bushing
- 109 = Low Temp Seals, Bumpers, Magnet and Pivot Bushing
- 200 = PolyPak Rod Seal
- 300 = PolyPak Piston Seal
- 400 = PolyPak Piston and Rod Seal

Available with these mounting styles:
DRPM, SRRP, SERP, SNRP, ARPM

See page 4 for bore size availability.

Rod Wiper option available on 3/4" Bore and Up.
Not available with these mount styles: SRNM, SRRP, SNNM, SNRP

Low Temperature Seals option available on 7/16" Bore and Up.

3/4" Bore and Up

* The rod wiper is Urethane except for 3/4", 1-1/16", 2" and 2-1/2" bores.

Note: Consult AutomationStore.com for additional options.

How To Order – Examples

B-0.438SRNM-01A

- 0.438 = 7/16" Bore
- SRNM = Single Acting, Spring Return, Nose Mount
- 01 = 1" Stroke
- A = 0" Fractional Stroke

B-1.500DDNM-10I-01

- 1.500 = 1-1/2" Bore
- DDNM = Double Acting, Double Nose
- 10 = 10" Stroke
- I = 1/2" Fractional Stroke
- 01 = Bumpers

B-1.062DRPM-03E-04

- 1.062 = 1-1/16" Bore
- DRPM = Double Acting, Rear Pivot Mount
- 03 = 3" Stroke
- E = 1/4" Fractional Stroke
- 04 = Bumpers and Magnet

B-2.000ARPM-20H-03

- 2.000 = 2" Bore
- ARPM = Double Acting, Adjustable Cushion, Rear Pivot Mount
- 20 = 20" Stroke
- H = 7/16" Fractional Stroke
- 03 = Magnet



Length Adders

01 Option (Bumpers)

BORE	SINGLE ACTING SRNM, SRRP, SENM, SERP, SNNM, SNRP	DOUBLE ACTING DFNM, DRPM
0.313	N/A	N/A
0.438	N/A	N/A
0.562	0.062	0.125
0.750	0.125	No Adder
0.875	No Adder	No Adder
1.062	0.125	0.125 (DTRM = 0.250")
1.250	No Adder	No Adder
1.500	No Adder	0.125
1.750	No Adder	No Adder
2.000	No Adder	0.250
2.500	N/A	0.062
3.000	N/A	0.062

03 Option (Magnet)

BORE	SINGLE ACTING SRNM, SRRP, SENM, SERP, SNNM, SNRP	DOUBLE ACTING DFNM, DRPM, DTRM
0.313	N/A	N/A
0.438	N/A	N/A
0.562	0.531	0.250
0.750	0.688	No Adder
0.875	0.531	No Adder
1.062	0.562	No Adder
1.250	0.531	No Adder
1.500	0.437 (SENM = 0.500)	No Adder
1.750	0.656	No Adder
2.000	0.461 (SENM & SERP = 0.714)	No Adder
2.500	N/A	No Adder
3.000	N/A	No Adder

04 Option (Bumper and Magnet)

BORE	SINGLE ACTING SRNM, SRRP, SENM, SERP, SNNM, SNRP	DOUBLE ACTING DFNM, DRPM
0.313	N/A	N/A
0.438	N/A	N/A
0.562	0.713	0.375
0.750	0.890	0.125
0.875	0.733	0.125
1.062	0.765 (SENM = 0687)	0.125 (DTRM = 0.250")
1.250	0.734	0.125
1.500	0.765 (SENM = 0827, SNNM = 0.750)	0.250
1.750	0.735	0.000
2.000	0.789	0.250
2.500	N/A	0.062
3.000	N/A	0.062



5/16" Bore Cylinder

Single Acting Spring Return – [B-0.313SRNM-00A](#)

Front Nose Mount

Standard Stroke Lengths:

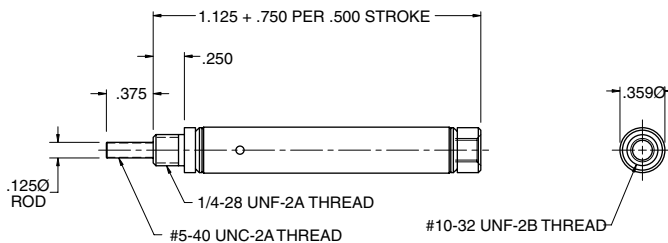
1/2", 1", 1-1/2", 2", 2-1/2", 3", 4"

Maximum Stroke: 4"

Base Weight: .03 lbs., plus .02 lbs. per inch of stroke

*Optional Accessories:

- B-117001 Mounting Bracket
- B-127001 Rod Clevis



Single Acting Spring Return – [B-0.313SRRP-00A](#)

Double Nose or Rear Pivot Mount

Standard Stroke Lengths:

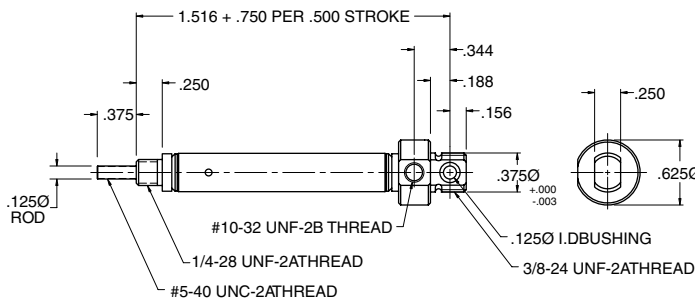
1/2", 1", 1-1/2", 2", 2-1/2", 3", 4"

Maximum Stroke: 4"

Base Weight: .04 lbs., plus .02 lbs. per inch of stroke

*Optional Accessories:

- B-117001 Mounting Bracket (with front nose mount)
- B-117002 Mounting Bracket (with rear nose mount)
- B-129001 Pivot Bracket
- B-127002 Rod Clevis



Single Acting Spring Extend – [B-0.313SENM-00A](#)

Front Nose Mount

Standard Stroke Lengths:

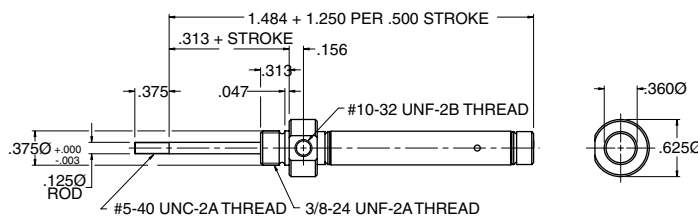
1/2", 1", 1-1/2", 2", 2-1/2", 3", 4"

Maximum Stroke: 4"

Base Weight: .05 lbs., plus .03 lbs. per inch of stroke

*Optional Accessories:

- B-117002 Mounting Bracket
- B-127001 Rod Clevis



Single Acting Spring Extend – [B-0.313SERP-00A](#)

Double Nose or Rear Pivot Mount

Standard Stroke Lengths:

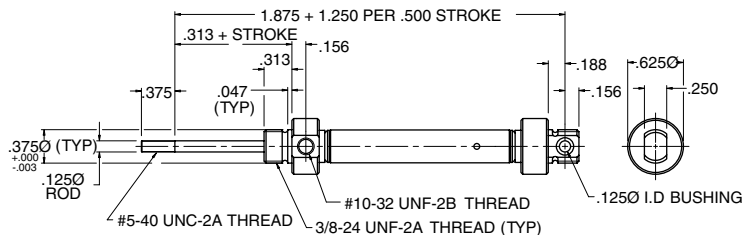
1/2", 1", 1-1/2", 2", 2-1/2", 3", 4"

Maximum Stroke: 4"

Base Weight: .05 lbs., plus .03 lbs. per inch of stroke

*Optional Accessories:

- B-117002 Mounting Bracket
- B-129001 Pivot Bracket
- B-127001 Rod Clevis





5/16" Bore Cylinder

Double Acting – **B-0.313DFNM-00A**

Front Nose Mount

Standard- Stroke Lengths:

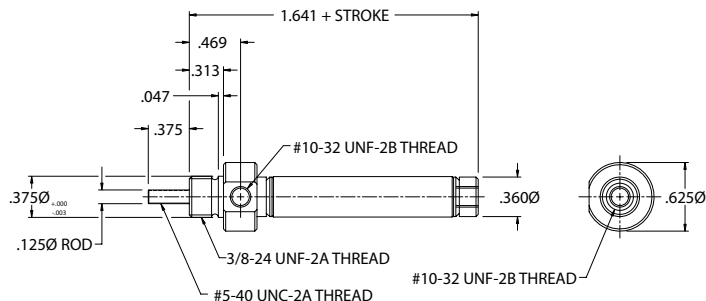
1/2", 1", 1-1/2", 2", 2-1/2", 3", 4"

Maximum Stroke: 4"

Base Weight: .05 lbs., plus .01 lbs. per inch of stroke

*Optional Accessories:

- B-117002 Mounting Bracket
- B-127001 Rod Clevis



Double Acting – **B-0.313DRPM-00A**

Double Nose or Rear Pivot Mount

Standard Stroke Lengths:

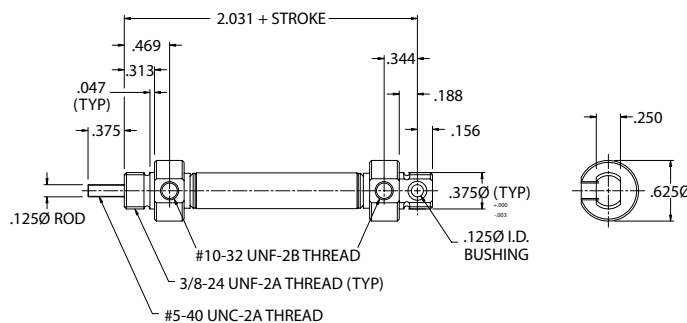
1/2", 1", 1-1/2", 2", 2-1/2", 3", 4"

Maximum Stroke: 4"

Base Weight: .06 lbs., plus .01 lbs. per inch of stroke

*Optional Accessories:

- B-117002 Mounting Bracket
- B-129001 Pivot Bracket
- B-127001 Rod Clevis



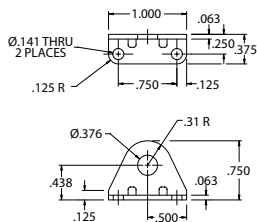
5/16" Bore Cylinder Specifications

- (0.07) X (Air Line Pressure) = Approximate Force Exerted
- Enclosed spring force: .5 lbs. retracted, 1 lbs. extended.
- Mounting nuts are standard on all nose mount cylinders.
- Viton® seals are optional on all cylinders for 200° - 350°F applications.

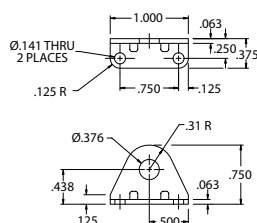
5/16" Bore Accessories

Nose Mounting Brackets

B-117001

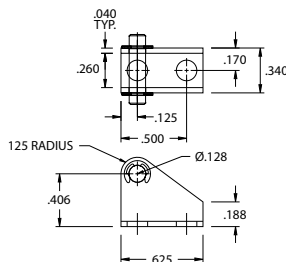


B-117002



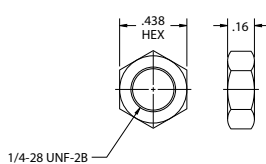
Pivot Mount Bracket

B-129001

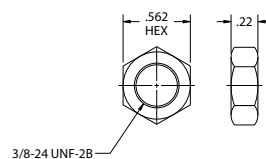


Mounting Nuts

B-190001

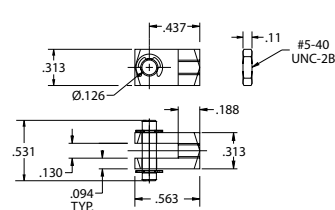


B-190002



Rod Clevis

B-127001





7/16" Bore Cylinder

Single Acting Spring Return – **B-0.438SRNM-00A**

Front Nose Mount

Standard Stroke Lengths:

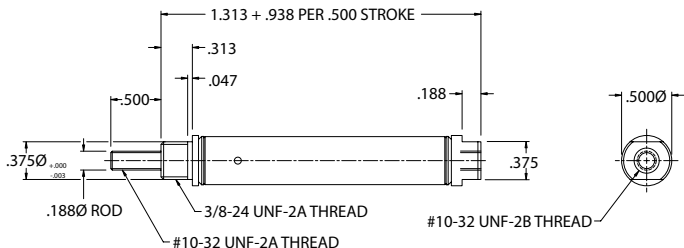
1/2", 1", 1-1/2", 2", 2-1/2", 3", 4"

Maximum Stroke: 6"

Base Weight: .04 lbs., plus .04 lbs. per inch of stroke

*Optional Accessories:

- B-117004 Mounting Bracket
- B-127002 Rod Clevis



Single Acting Spring Return – **B-0.438SRRP-00A**

Rear Pivot Mount

Standard Stroke Lengths:

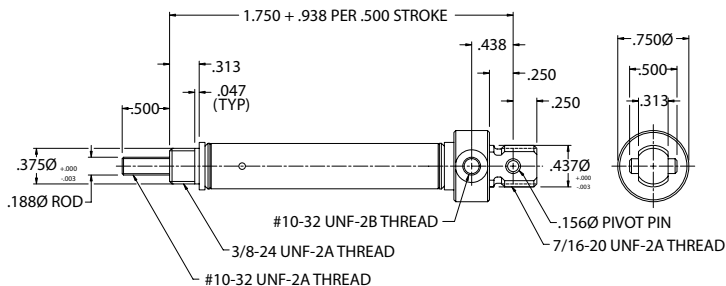
1/2", 1", 1-1/2", 2", 2-1/2", 3", 4"

Maximum Stroke: 6"

Base Weight: .04 lbs., plus .04 lbs. per inch of stroke

*Optional Accessories:

- B-029002 Pivot Bracket
- B-127002 Rod Clevis



Single Acting Spring Extend – **B-0.438SENM-00A**

Front Nose Mount

Standard Stroke Lengths:

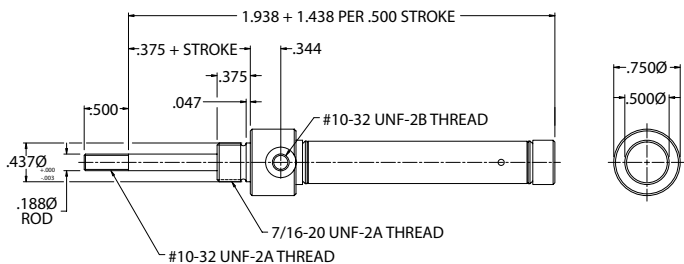
1/2", 1", 1-1/2", 2", 2-1/2", 3"

Maximum Stroke: 6"

Base Weight: .08 lbs., plus .03 lbs. per inch of stroke

*Optional Accessories:

- B-117003 Mounting Bracket
- B-127002 Rod Clevis



Single Acting Spring Extend – **B-0.438SERP-00A**

Rear Pivot Mount

Standard Stroke Lengths:

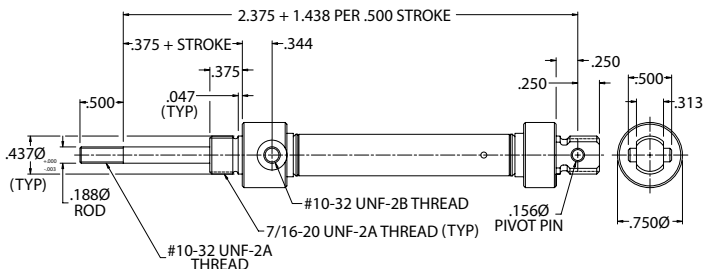
1/2", 1", 1-1/2", 2", 2-1/2", 3"

Maximum Stroke: 6"

Base Weight: .08 lbs., plus .03 lbs. per inch of stroke

*Optional Accessories:

- B-029002 Pivot Bracket
- B-127002 Rod Clevis





7/16" Bore Cylinder

Double Acting – **B-0.438DFNM-00A**

Front Nose Mount

Standard Stroke Lengths:

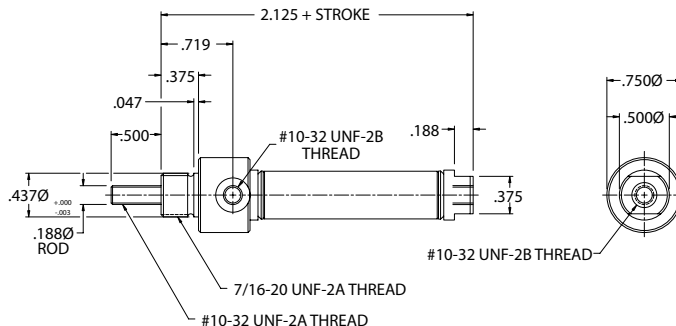
1/2", 1", 1-1/2", 2", 2-1/2", 3", 4"

Maximum Stroke: 12"

Base Weight: .07 lbs., plus .02 lbs. per inch of stroke

*Optional Accessories:

- B-117003 Mounting Bracket
- B-127002 Rod Clevis



Double Acting – **B-0.438DRPM-00A**

Rear Pivot Mount

Standard Stroke Lengths:

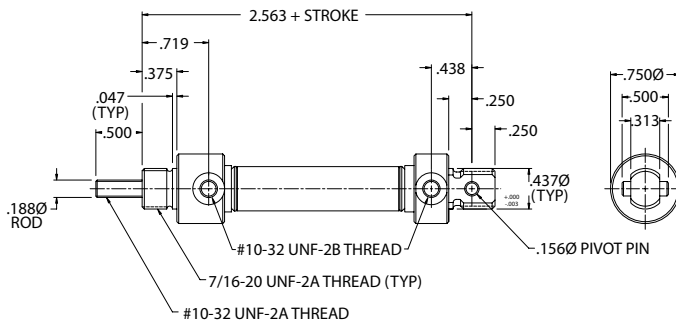
1/2", 1", 1-1/2", 2", 2-1/2", 3", 4"

Maximum Stroke: 12"

Base Weight: .08 lbs., plus .02 lbs. per inch of stroke

*Optional Accessories:

- B-029002 Pivot Bracket
- B-127002 Rod Clevis



Single Acting Spring Return – **B-0.438SNNM-00A**

Front Nose Mount **Non-Rotating**

Standard Stroke Lengths:

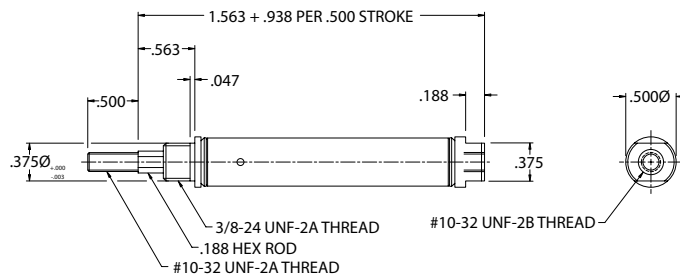
1/2", 1", 1-1/2", 2", 2-1/2", 3", 4"

Maximum Stroke: 6"

Base Weight: .04 lbs., plus .04 lbs. per inch of stroke

*Optional Accessories:

- B-117004 Mounting Bracket
- B-127002 Rod Clevis



Single Acting Spring Return – **B-0.438SNRP-00A**

Rear Pivot Mount **Non-Rotating**

Standard Stroke Lengths:

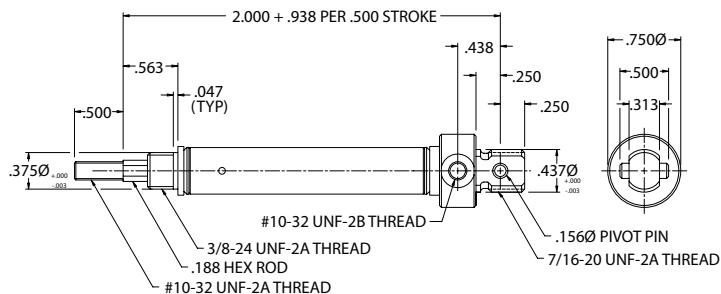
1/2", 1", 1-1/2", 2", 2-1/2", 3", 4"

Maximum Stroke: 6"

Base Weight: .04 lbs., plus .04 lbs. per inch of stroke

*Optional Accessories:

- B-029002 Pivot Bracket
- B-127002 Rod Clevis





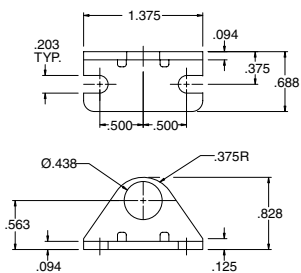
7/16" Bore Cylinder Specifications

- (0.15) X (Air Line Pressure) = Approximate Force Extended
- Enclosed spring force: 1 lbs. retracted, 2 lbs. extended.
- Mounting nuts are standard on all nose mount cylinders.
- Viton® seals are optional on all cylinders for 200° - 350°F applications.

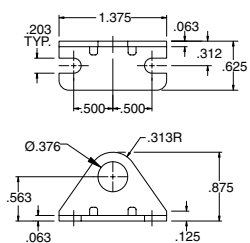
7/16" Bore Accessories

Nose Mounting Brackets

B-117003

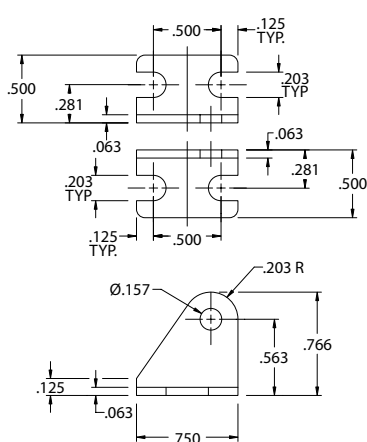


B-117004



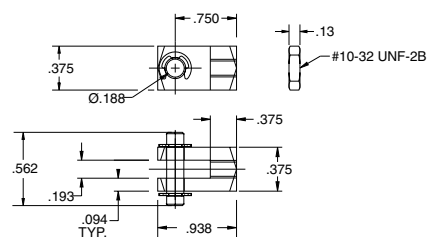
Pivot Mount Bracket

B-029002



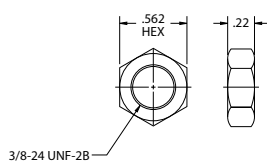
Rod Clevis

B-127002

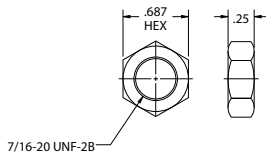


Mounting Nuts

B-190002



B-190003





9/16" Bore Cylinder

Single Acting Spring Return – **B-0.563SRNM-00A**

Front Nose Mount

Standard Stroke Lengths:

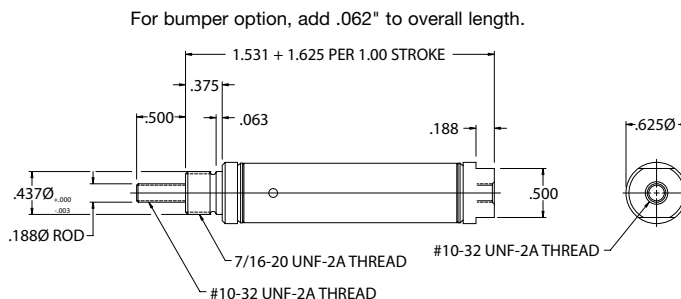
1/2", 1", 1-1/2", 2", 2-1/2", 3", 4"

Maximum Stroke: 6"

Base Weight: .06 lbs., plus .05 lbs. per inch of stroke

*Optional Accessories:

- B-117003 Mounting Bracket
- B-127002 Rod Clevis



Single Acting Spring Return – **B-0.563SRRP-00A**

Double Nose or Rear Pivot Mount

Standard Stroke Lengths:

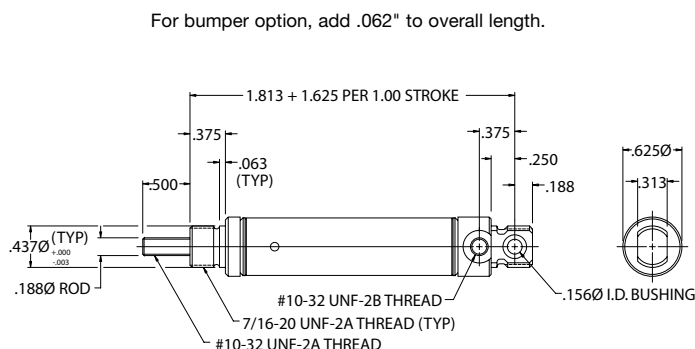
1/2", 1", 1-1/2", 2", 2-1/2", 3", 4"

Maximum Stroke: 6"

Base Weight: .06 lbs., plus .05 lbs. per inch of stroke

*Optional Accessories:

- B-117003 Mounting Bracket
- B-129002 Pivot Bracket
- B-127002 Rod Clevis



Single Acting Spring Extend – **B-0.563SENM-00A**

Front Nose Mount

Standard Stroke Lengths:

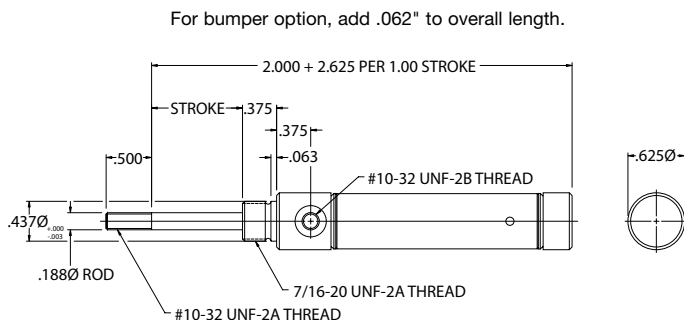
1/2", 1", 1-1/2", 2", 2-1/2", 3"

Maximum Stroke: 6"

Base Weight: .08 lbs., plus .04 lbs. per inch of stroke

*Optional Accessories:

- B-117003 Mounting Bracket
- B-127002 Rod Clevis



Single Acting Spring Extend – **B-0.563SERP-00A**

Double Nose or Rear Pivot Mount

Standard Stroke Lengths:

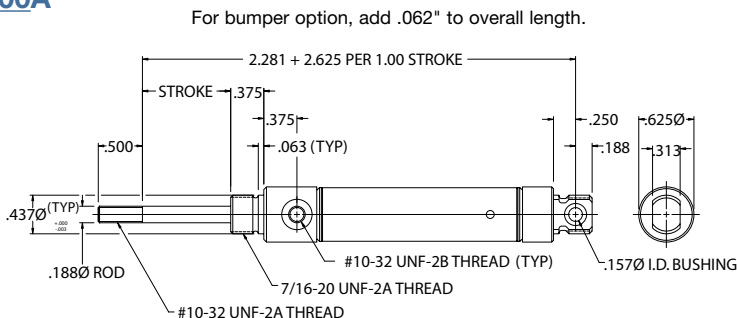
1/2", 1", 1-1/2", 2", 2-1/2", 3"

Maximum Stroke: 6"

Base Weight: .08 lbs., plus .04 lbs. per inch of stroke

*Optional Accessories:

- B-117003 Mounting Bracket
- B-129002 Pivot Bracket
- B-127002 Rod Clevis





9/16" Bore Cylinder

Double Acting – **B-0.563DFNM-00A**

Front Nose Mount

Standard Stroke Lengths:

1/2", 1", 1-1/2", 2", 2-1/2", 3", 4"

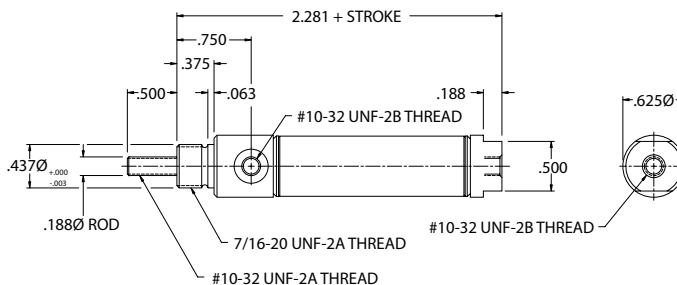
Maximum Stroke: 12"

Base Weight: .09 lbs., plus .02 lbs. per inch of stroke

*Optional Accessories:

- B-117003 Mounting Bracket
- B-127002 Rod Clevis

For bumper option, add .125" to overall length.
For magnetic band option, add .250" to overall length.



Double Acting – **B-0.563DRPM-00A**

Double Nose or Rear Pivot Mount

Standard Stroke Lengths:

1/2", 1", 1-1/2", 2", 2-1/2", 3", 4"

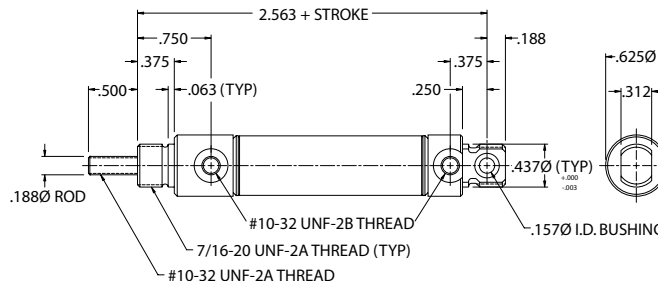
Maximum Stroke: 12"

Base Weight: .09 lbs., plus .02 lbs. per inch of stroke

*Optional Accessories:

- B-117003 Mounting Bracket
- B-129002 Pivot Bracket
- B-127002 Rod Clevis

For bumper option, add .125" to overall length.
For magnetic band option, add .250" to overall length.



Single Acting Spring Return – **B-0.563SNNM-00A**

Front Nose Mount **Non-Rotating**

Standard Stroke Lengths:

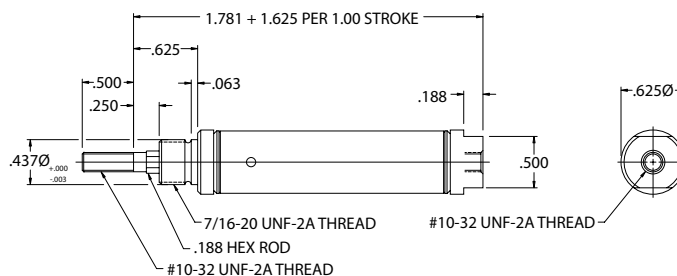
1/2", 1", 1-1/2", 2", 2-1/2", 3", 4"

Maximum Stroke: 6"

Base Weight: .06 lbs., plus .05 lbs. per inch of stroke

*Optional Accessories:

- B-117003 Mounting Bracket
- B-127002 Rod Clevis



Single Acting Spring Return – **B-0.563SNRP-00A**

Rear Pivot Mount **Non-Rotating**

Standard Stroke Lengths:

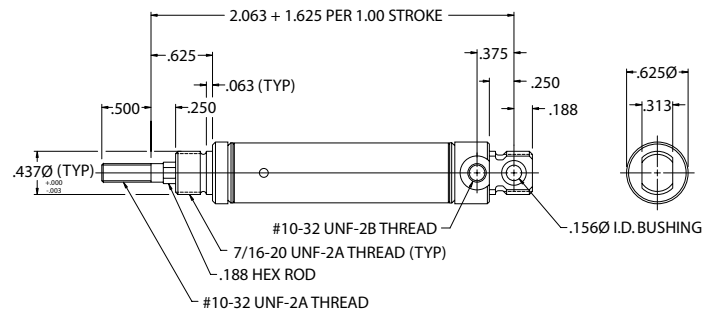
1/2", 1", 1-1/2", 2", 2-1/2", 3", 4"

Maximum Stroke: 6"

Base Weight: .06 lbs., plus .05 lbs. per inch of stroke

*Optional Accessories:

- B-117003 Mounting Bracket
- B-129002 Pivot Bracket
- B-127002 Rod Clevis





9/16" Bore Cylinder

Double Acting – B-0.563DTRM-00A Through Rod

Standard Stroke Lengths:

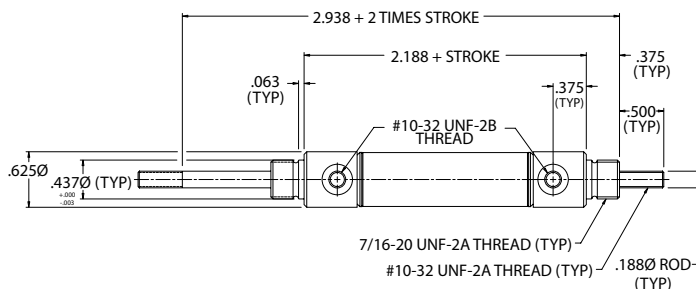
1/2", 1", 1-1/2", 2", 2-1/2", 3", 4", 5", 6"

Maximum Stroke: 12"

Base Weight: .16 lbs., plus .03 lbs. per inch of stroke

*Optional Accessories:

- B-117003 Mounting Bracket
- B-127002 Rod Clevis



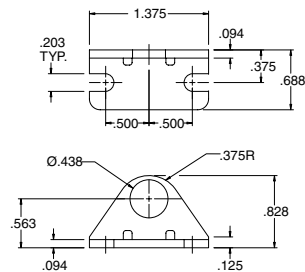
9/16" Bore Cylinder Specifications

- (0.15) X (Air Line Pressure) = Approximate Force Extended
- Enclosed spring force: 2 lbs. retracted, 4 lbs. extended.
- Mounting nuts are standard on all nose mount cylinders.
- Viton® seals are optional on all cylinders for 200° - 350°F applications.
- Bumpers are optional on all 9/16" bore cylinders (except in combination with Viton® option).
- Bumper option on single acting cylinders adds .062" to overall length.
- Bumper option on double acting cylinders adds .125" to overall length.
- Magnetic band option on 9/16" bore double acting cylinders adds .250" to overall length.

9/16" Bore Accessories

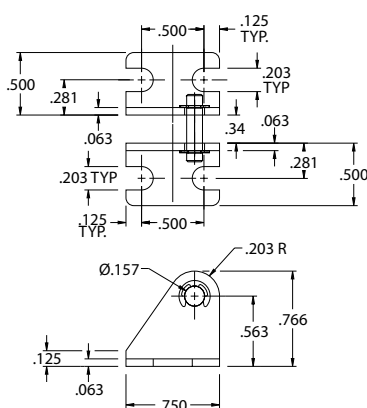
Nose Mounting Bracket

B-117003



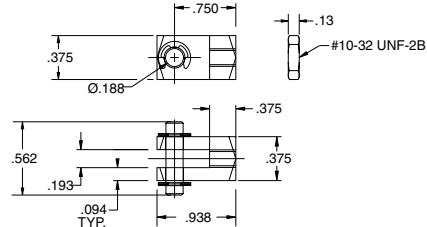
Pivot Mount Bracket

B-129002



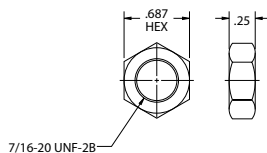
Rod Clevis

B-127002



Mounting Nuts

B-190003





3/4" Bore Cylinder

Single Acting Spring Return – **B-0.750SRNM-00A**

Front Nose Mount

Standard Stroke Lengths:

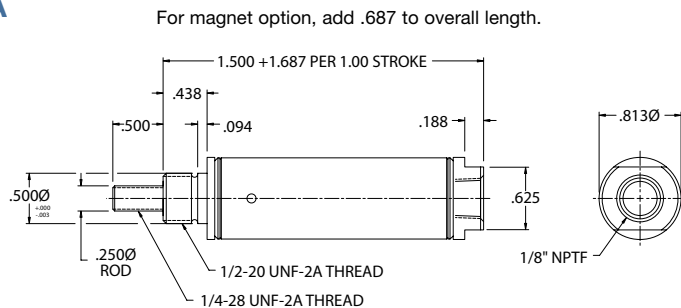
1/2", 1", 1-1/2", 2", 2-1/2", 3", 4"

Maximum Stroke: 6"

Base Weight: .10 lbs., plus .08 lbs. per inch of stroke

*Optional Accessories:

- B-117006 Mounting Bracket
- B-127003 Rod Clevis



Single Acting Spring Return – **B-0.750SRRP-00A**

Rear Pivot Mount

Standard Stroke Lengths:

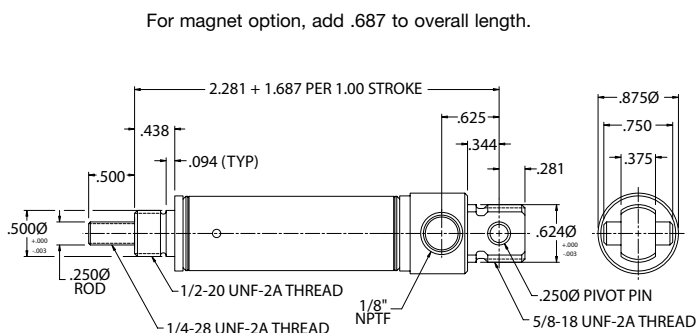
1/2", 1", 1-1/2", 2", 2-1/2", 3", 4"

Maximum Stroke: 6"

Base Weight: .13 lbs., plus .08 lbs. per inch of stroke

*Optional Accessories:

- B-029003 Pivot Bracket
- B-127003 Rod Clevis



Single Acting Spring Extend – **B-0.750SENM-00A**

Front Nose Mount

Standard Stroke Lengths:

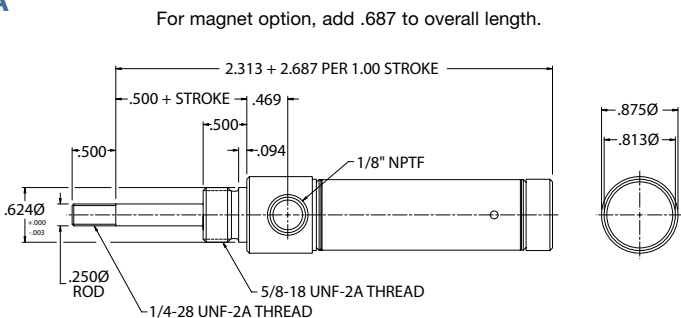
1/2", 1", 1-1/2", 2", 2-1/2", 3", 4"

Maximum Stroke: 6"

Base Weight: .18 lbs., plus .07 lbs. per inch of stroke

*Optional Accessories:

- B-117005 Mounting Bracket
- B-127003 Rod Clevis



Single Acting Spring Extend – **B-0.750SERP-00A**

Rear Pivot Mount

Standard Stroke Lengths:

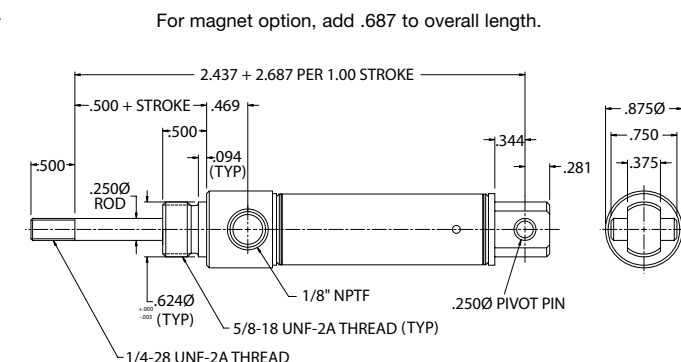
1/2", 1", 1-1/2", 2", 2-1/2", 3", 4"

Maximum Stroke: 6"

Base Weight: .18 lbs., plus .07 lbs. per inch of stroke

*Optional Accessories:

- B-029003 Pivot Bracket
- B-127003 Rod Clevis





3/4" Bore Cylinder

Double Acting – **B-0.75DFNM-00A**

Front Nose Mount

Standard Stroke Lengths:

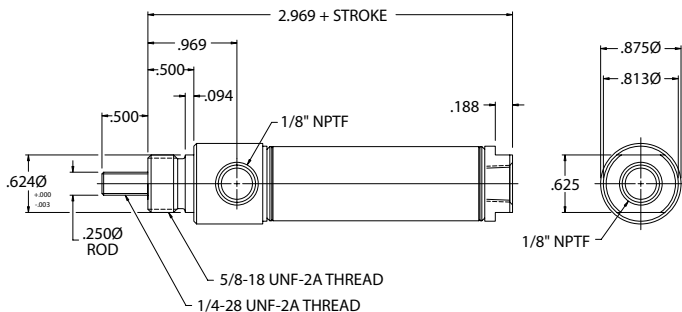
1/2", 1", 1-1/2" 2", 2-1/2", 3", 4", 5", 6"

Maximum Stroke: 12"

Base Weight: .21 lbs., plus .03 lbs. per inch of stroke

*Optional Accessories:

- B-117005 Mounting Bracket
- B-127003 Rod Clevis



Double Acting – **B-0.75DRPM-00A**

Rear Pivot Mount

Standard Stroke Lengths:

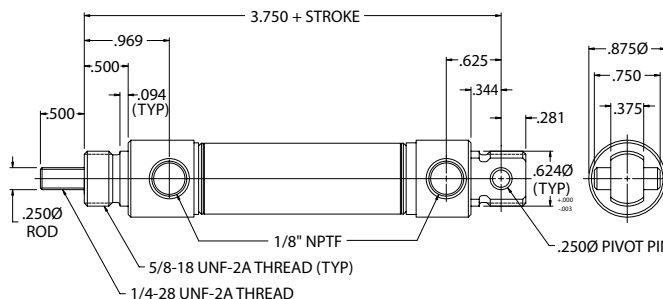
1/2", 1", 1-1/2" 2", 2-1/2", 3", 4", 5", 6", 7", 8", 9" 10", 11", 12"

Maximum Stroke: 32"

Base Weight: .21 lbs., plus .03 lbs. per inch of stroke

*Optional Accessories:

- B-029003 Pivot Bracket
- B-127003 Rod Clevis



Double Acting – **B-0.75DNM-00A**

Double Nose or Rear Pivot Mount

Standard Stroke Lengths:

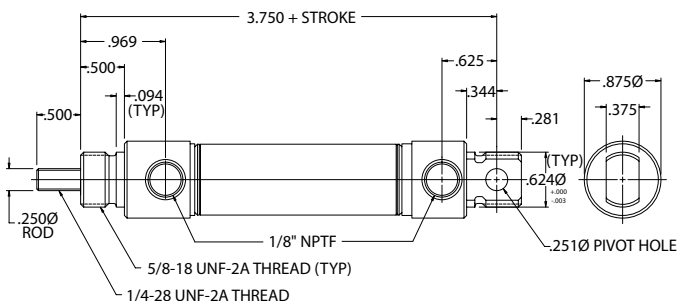
1/2", 1", 1-1/2" 2", 2-1/2", 3", 4", 5", 6", 7", 8", 9", 10", 11", 12"

Maximum Stroke: 32"

Base Weight: .29 lbs., plus .03 lbs. per inch of stroke

*Optional Accessories:

- B-117005 Mounting Bracket
- B-129003 Pivot Bracket
- B-127003 Rod Clevis



Single Acting Spring Return – **B-0.75SNNM-00A**

Front Nose Mount **Non-Rotating**

Standard Stroke Lengths:

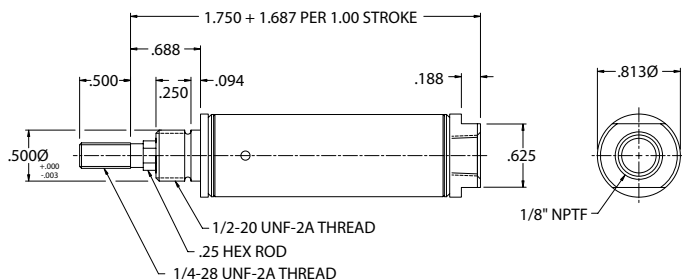
1/2", 1", 1-1/2", 2", 2-1/2", 3", 4"

Maximum Stroke: 6"

Base Weight: .10 lbs., plus .08 lbs. per inch of stroke

*Optional Accessories:

- B-117006 Mounting Bracket
- B-127003 Rod Clevis





3/4" Bore Cylinder

Single Acting Spring Return – **B-0.750SNRP-00A**
Rear Pivot Mount **Non-Rotating**

Standard Stroke Lengths:

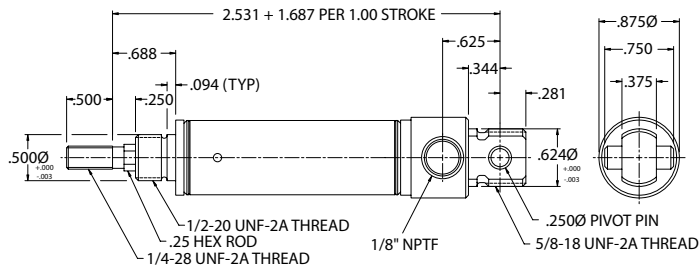
1/2", **1"**, 1-1/2", **2"**, 2-1/2", **3"**, 4"

Maximum Stroke: 6"

Base Weight: .12 lbs., plus .08 lbs. per inch of stroke

*Optional Accessories:

- B-029003 Pivot Bracket
- B-127003 Rod Clevis



Double Acting – **B-0.750DTRM-00A** Through Rod

Standard Stroke Lengths:

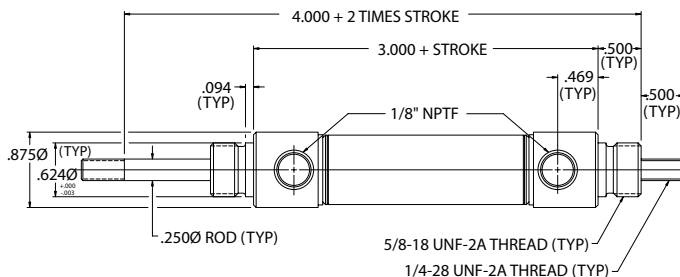
1/2", **1"**, 1-1/2", **2"**, 2-1/2", **3"**, **4"**, **5"**, **6"**

Maximum Stroke: 12"

Base Weight: .37 lbs., plus .04 lbs. per inch of stroke

*Optional Accessories:

- B-117005 Mounting Bracket
- B-127003 Rod Clevis



Double Acting – **B-0.750DFBM-00A** Front Block Mount

Standard Stroke Lengths:

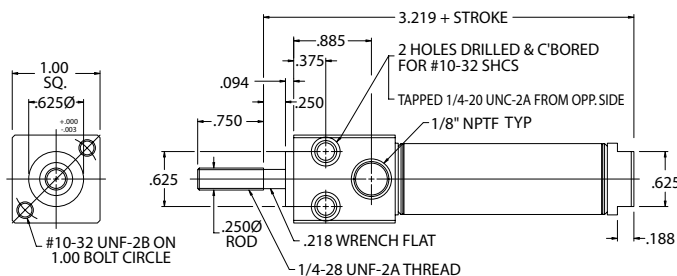
1/2", **1"**, 1-1/2", **2"**, 2-1/2", **3"**, **4"**, **5"**, **6"**

Maximum Stroke: 12"

Base Weight: .22 lbs., plus .03 lbs. per inch of stroke

*Optional Accessories:

- B-127003 Rod Clevis



Double Acting – **B-0.750DTNM-00A** Trunnion Mount

Standard Stroke Lengths:

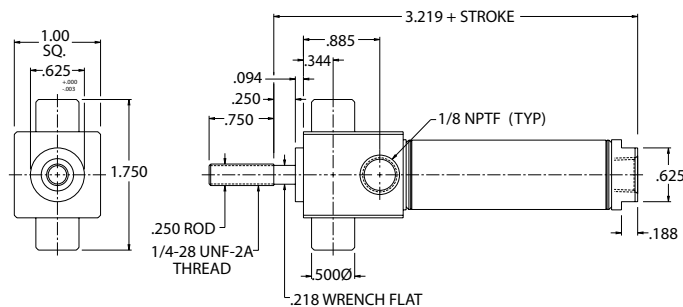
1/2", **1"**, 1-1/2", **2"**, 2-1/2", **3"**, **4"**, **5"**, **6"**

Maximum Stroke: 12"

Base Weight: .29 lbs., plus .03 lbs. per inch of stroke

*Optional Accessories:

- B-029003 Pivot Bracket
- B-127003 Rod Clevis





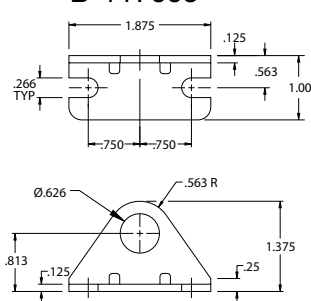
3/4" Bore Cylinder Specifications

- (0.4) X (Air Line Pressure) = Approximate Force Exerted
- Enclosed spring force: 3 lbs. retracted, 6 lbs. extended.
- Mounting nuts are standard on all nose mount cylinders.
- Viton® seals are optional on all cylinders for 200° - 350°F applications.
- Bumpers are optional on all 3/4" bore cylinders (except in combination with Viton® option).
- Magnetic piston optional on all double acting 3/4" bore cylinders (except in combination with Viton® option).
- Bumper option on 3/4" bore single acting cylinders adds .125" to overall length, but does not effect the overall length of double acting cylinders.

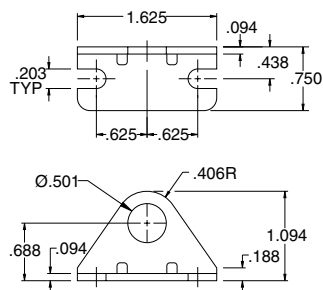
3/4" Bore Accessories

Nose Mounting Brackets

B-117005

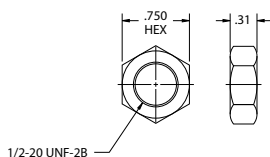


B-117006

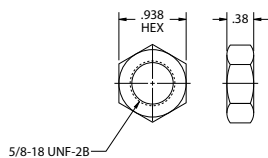


Mounting Nuts

B-190004

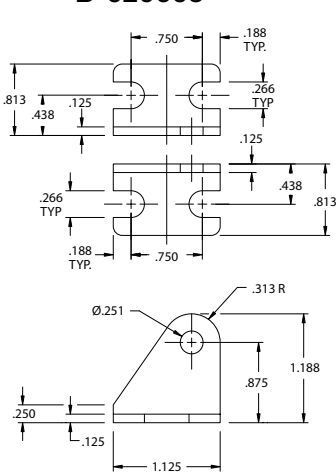


B-190005

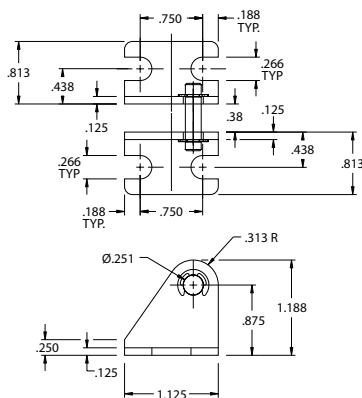


Pivot Mount Bracket

B-029003

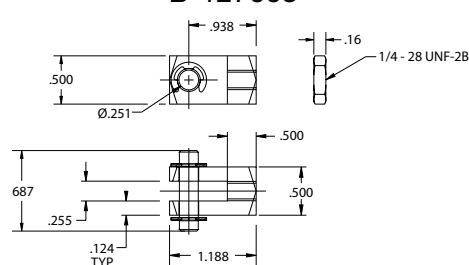


B-129003



Rod Clevis

B-127003





7/8" Bore Cylinder

Single Acting Spring Return – **B-0.875SRNM-00A**

Front Nose Mount

Standard Stroke Lengths:

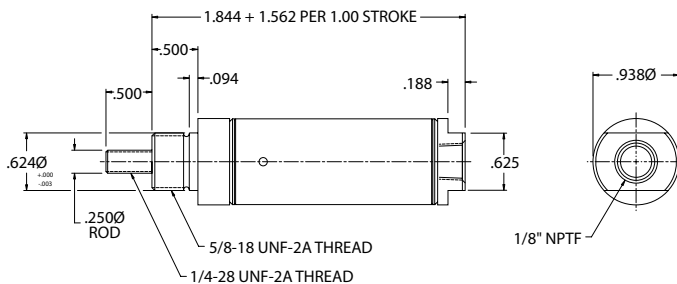
1/2", 1", 1-1/2", 2", 2-1/2", 3", 4"

Maximum Stroke: 6"

Base Weight: .17 lbs., plus .09 lbs. per inch of stroke

*Optional Accessories:

- B-117005 Mounting Bracket
- B-127003 Rod Clevis



Single Acting Spring Return – **B-0.875SRRP-00A**

Rear Pivot Mount

Standard Stroke Lengths:

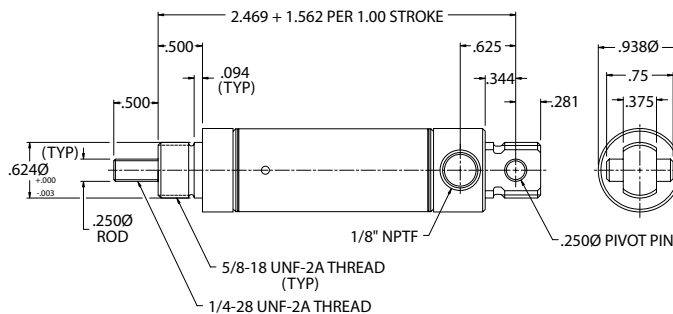
1/2", 1", 1-1/2", 2", 2-1/2", 3", 4"

Maximum Stroke: 6"

Base Weight: .17 lbs., plus .09 lbs. per inch of stroke

*Optional Accessories:

- B-029003 Pivot Bracket
- B-127003 Rod Clevis



Single Acting Spring Extend – **B-0.875SENM-00A**

Front Nose Mount

Standard Stroke Lengths:

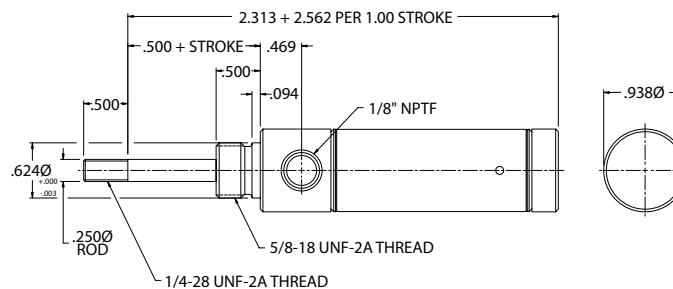
1/2", 1", 1-1/2", 2", 2-1/2", 3", 4"

Maximum Stroke: 6"

Base Weight: .20 lbs., plus .09 lbs. per inch of stroke

*Optional Accessories:

- B-117005 Mounting Bracket
- B-127003 Rod Clevis



Single Acting Spring Extend – **B-0.875SERP-00A**

Rear Pivot Mount

Standard Stroke Lengths:

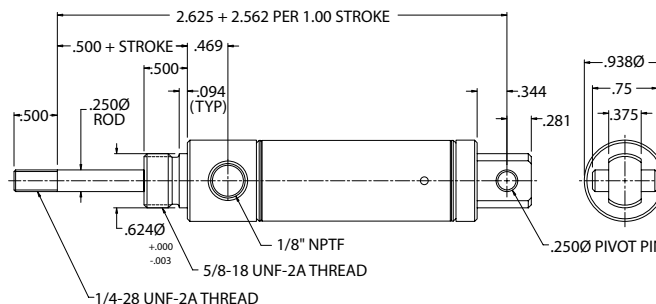
1/2", 1", 1-1/2", 2", 2-1/2", 3", 4"

Maximum Stroke: 6"

Base Weight: .20 lbs., plus .09 lbs. per inch of stroke

*Optional Accessories:

- B-029003 Pivot Bracket
- B-127003 Rod Clevis





7/8" Bore Cylinder

Double Acting – **B-0.875DFNM-00A**

Front Nose Mount

Standard Stroke Lengths:

1/2", 1", 1-1/2" 2", 2-1/2", 3", 4", 5", 6"

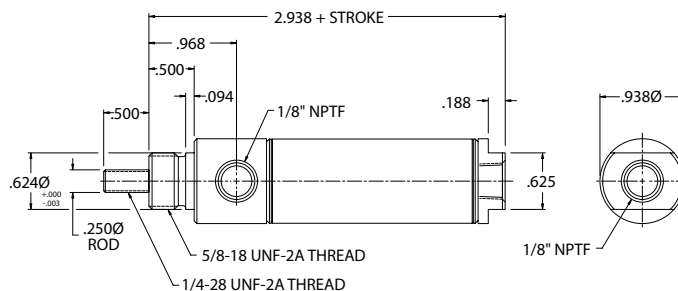
Maximum Stroke: 12"

Base Weight: .25 lbs., plus .03 lbs. per inch of stroke

*Optional Accessories:

- B-117005 Mounting Bracket
- B-127003 Rod Clevis

For bumper and magnet option on 7/8" bore double acting cylinders adds .125" to overall length.



Double Acting – **B-0.875DRPM-00A**

Rear Pivot Mount

Standard Stroke Lengths:

1/2", 1", 1-1/2" 2", 2-1/2", 3", 4", 5", 6"

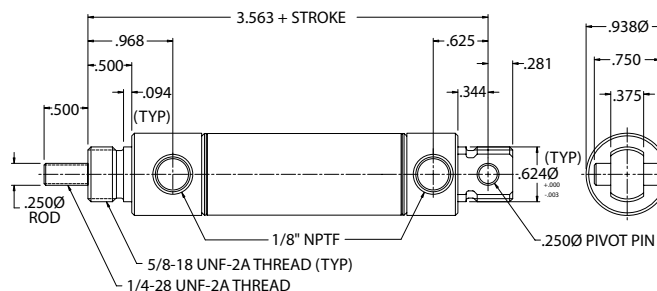
Maximum Stroke: 32"

Base Weight: .32 lbs., plus .03 lbs. per inch of stroke

*Optional Accessories:

- B-029003 Pivot Bracket
- B-127003 Rod Clevis

For bumper and magnet option on 7/8" bore double acting cylinders adds .125" to overall length.



Double Acting – **B-0.875DDNM-00A**

Double Nose or Rear Pivot Mount

Standard Stroke Lengths:

1/2", 1", 1-1/2" 2", 2-1/2", 3", 4", 5", 6"

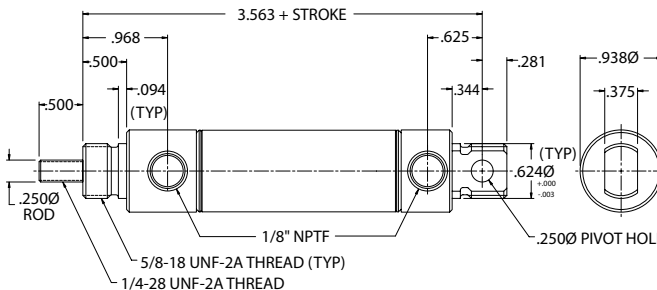
Maximum Stroke: 32"

Base Weight: .32 lbs., plus .03 lbs. per inch of stroke

*Optional Accessories:

- B-117005 Mounting Bracket
- B-129003 Pivot Bracket
- B-127003 Rod Clevis

For bumper and magnet option on 7/8" bore double acting cylinders adds .125" to overall length.



Single Acting Spring Return – **B-0.875SNNM-00A**

Front Nose Mount **Non-Rotating**

Standard Stroke Lengths:

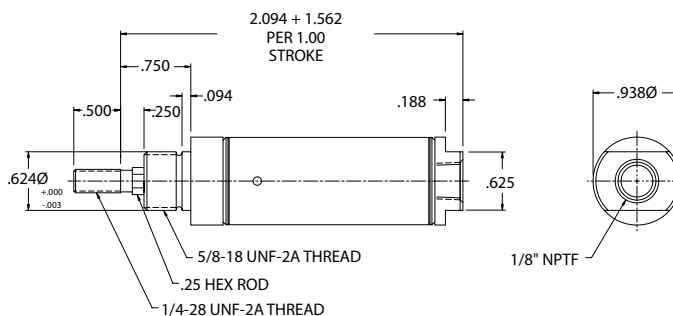
1/2", 1", 1-1/2", 2", 2-1/2", 3", 4"

Maximum Stroke: 6"

Base Weight: .17 lbs., plus .09 lbs. per inch of stroke

*Optional Accessories:

- B-117005 Mounting Bracket
- B-127003 Rod Clevis



7/8" Bore Cylinder

Single Acting Spring Return – **B-0.875SNRP-00A**
Rear Pivot Mount **Non-Rotating**

Standard Stroke Lengths:

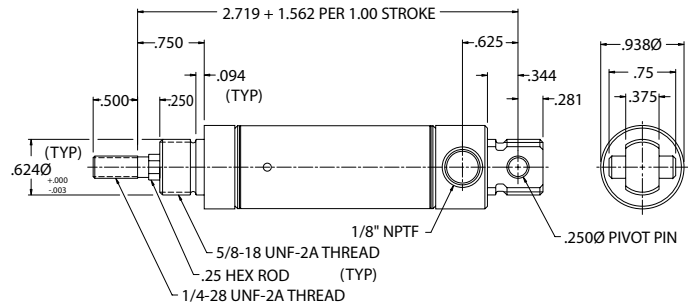
1/2", 1", 1-1/2", 2", 2-1/2", 3", 4"

Maximum Stroke: 6"

Base Weight: .17 lbs., plus .09 lbs. per inch of stroke

*Optional Accessories:

- B-029003 Pivot Bracket
- B-127003 Rod Clevis

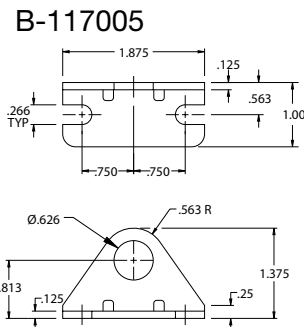


7/8" Bore Cylinder Specifications

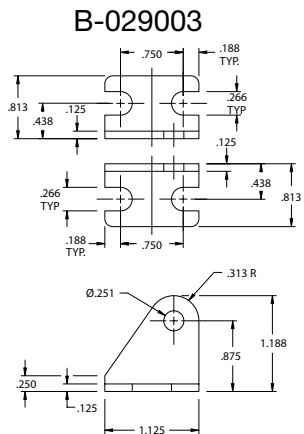
- (0.6) X (Air Line Pressure) = Approximate Force Exerted
- Enclosed spring force: 3 lbs. retracted, 6 lbs. extended.
- Mounting nuts are standard on all nose mount cylinders.
- Viton® seals are optional on all cylinders for 200° - 350°F applications.
- Bumpers are optional on all 7/8" bore cylinders (except in combination with Viton® option).
- Magnetic piston optional on all double acting 7/8" bore cylinders (except in combination with Viton® option).
- Bumper and magnet option on 7/8" bore double acting cylinders adds .125" to overall length.

7/8" Bore Accessories

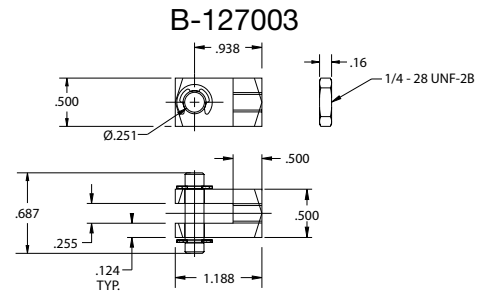
Nose Mounting Brackets



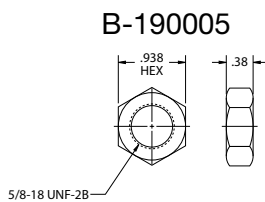
Pivot Mount Bracket



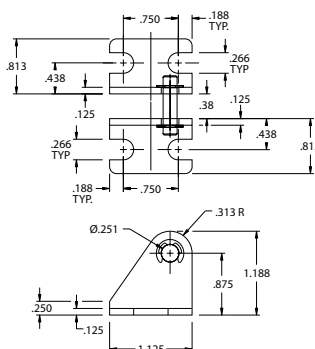
Rod Clevis



Mounting Nuts



B-129003





1-1/16" Bore Cylinder

Single Acting Spring Return – **B-1.062SRNM-00A**

Front Nose Mount

Standard Stroke Lengths:

1/2", 1", 1-1/2", 2", 2-1/2", 3", 4", 5", 6"

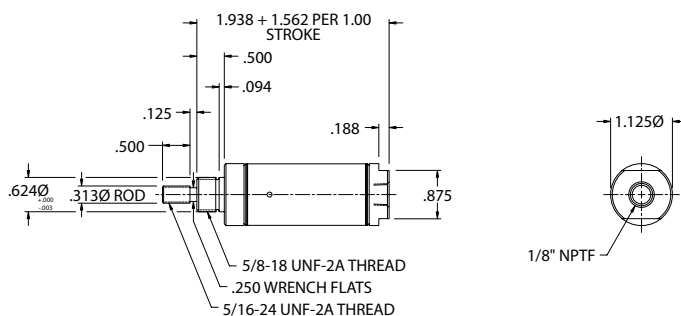
Maximum Stroke: 6"

Base Weight: .23 lbs., plus .11 lbs. per inch of stroke

*Optional Accessories:

- B-117005 Mounting Bracket
- B-127004 Rod Clevis

For bumper option, add .125" to overall length.



Single Acting Spring Return – **B-1.062SRRP-00A**

Rear Pivot Mount

Standard Stroke Lengths:

1/2", 1", 1-1/2", 2", 2-1/2", 3", 4"

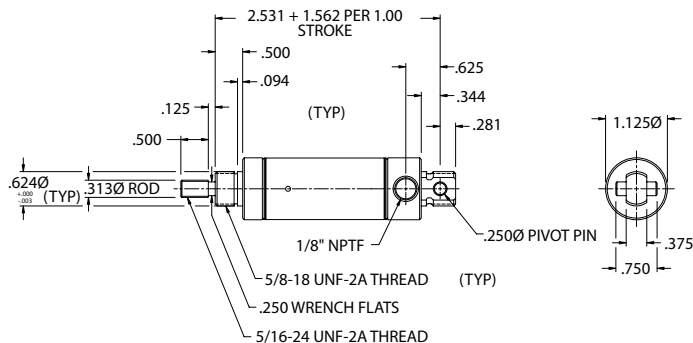
Maximum Stroke: 6"

Base Weight: .24 lbs., plus .11 lbs. per inch of stroke

*Optional Accessories:

- B-029003 Pivot Bracket
- B-127004 Rod Clevis

For bumper option, add .125" to overall length.



Single Acting Spring Extend – **B-1.062SENM-00A**

Front Nose Mount

Standard Stroke Lengths:

1/2", 1", 1-1/2", 2", 2-1/2", 3", 4"

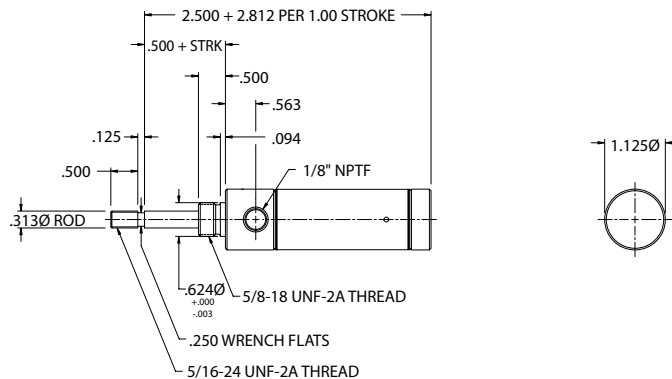
Maximum Stroke: 6"

Base Weight: .24 lbs., plus .16 lbs. per inch of stroke

*Optional Accessories:

- B-117005 Mounting Bracket
- B-127004 Rod Clevis

For bumper option, add .125" to overall length.



Single Acting Spring Extend – **B-1.062SERP-00A**

Rear Pivot Mount

Standard Stroke Lengths:

1/2", 1", 1-1/2", 2", 2-1/2", 3", 4"

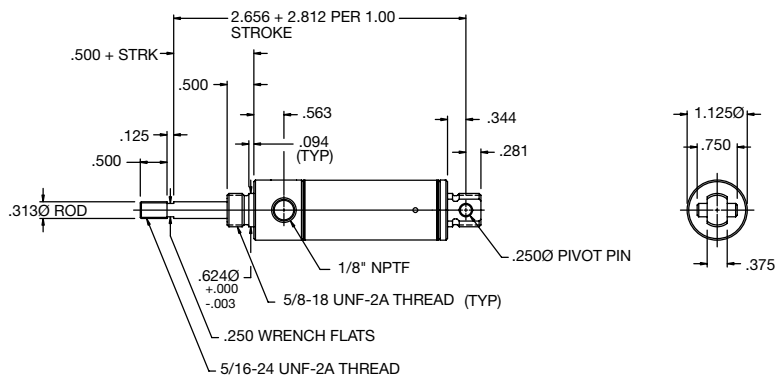
Maximum Stroke: 6"

Base Weight: .22 lbs., plus .16 lbs. per inch of stroke

*Optional Accessories:

- B-029003 Pivot Bracket
- B-127004 Rod Clevis

For bumper option, add .125" to overall length.





1-1/16" Bore Cylinder

Double Acting – **B-1.062DFNM-00A**

Front Nose Mount

Standard Stroke Lengths:

1/2", 1", 1-1/2" 2", 2-1/2", 3", 4", 5", 6"

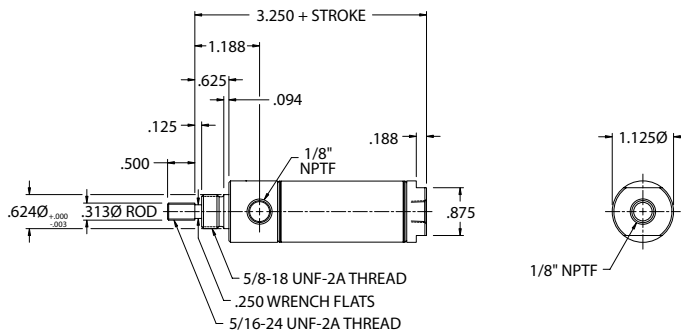
Maximum Stroke: 12"

Base Weight: .33 lbs., plus .05 lbs. per inch of stroke

*Optional Accessories:

- B-117005 Mounting Bracket
- B-127004 Rod Clevis

For bumper option, add .125" to overall length.



Double Acting – **B-1.062DRPM-00A**

Rear Pivot Mount

Standard Stroke Lengths:

1/2", 1", 1-1/2" 2", 2-1/2", 3", 4", 5", 6", 7", 8", 9", 10", 11", 12"

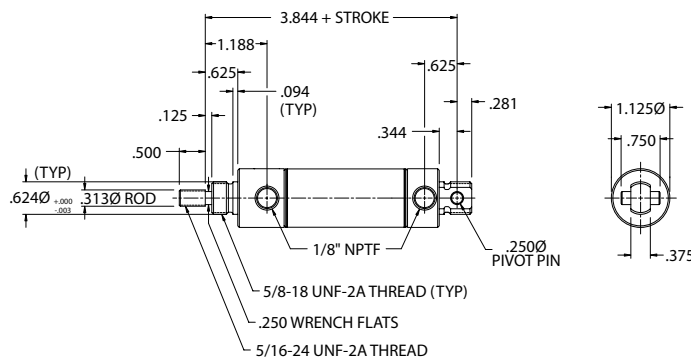
Maximum Stroke: 32"

Base Weight: .33 lbs., plus .05 lbs. per inch of stroke

*Optional Accessories:

- B-117005 Mounting Bracket
- B-029003 Pivot Bracket
- B-127004 Rod Clevis

For bumper option, add .125" to overall length.



Double Acting – **B-1.062DDNM-00A**

Double Nose or Rear Pivot Mount

Standard Stroke Lengths:

1/2", 1", 1-1/2" 2", 2-1/2", 3", 4", 5", 6", 7", 8", 9", 10", 11", 12"

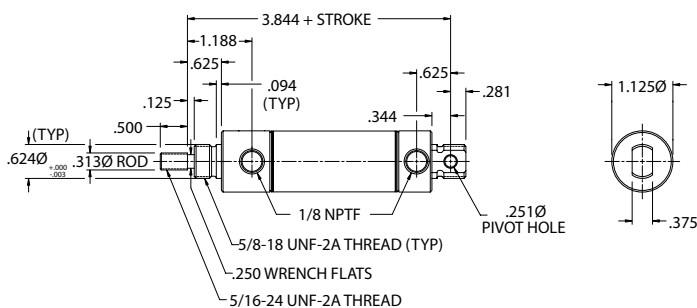
Maximum Stroke: 32"

Base Weight: .33 lbs., plus .05 lbs. per inch of stroke

*Optional Accessories:

- B-117005 Mounting Bracket
- B-129003 Pivot Bracket
- B-127004 Rod Clevis

For bumper option, add .125" to overall length.



Single Acting Spring Return – **B-1.062SNNM-00A**

Front Nose Mount **Non-Rotating**

Standard Stroke Lengths:

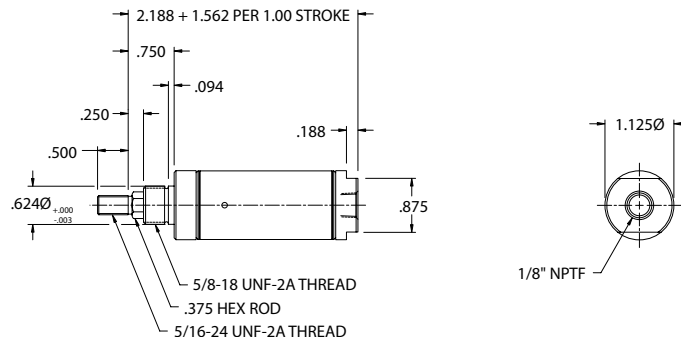
1/2", 1", 1-1/2", 2", 2-1/2", 3", 4"

Maximum Stroke: 6"

Base Weight: .25 lbs., plus .12 lbs. per inch of stroke

*Optional Accessories:

- B-117005 Mounting Bracket
- B-127004 Rod Clevis





1-1/16" Bore Cylinder

Single Acting Spring Return – B-1.062SNRP-00A Rear Pivot Mount Non-Rotating

Standard Stroke Lengths:

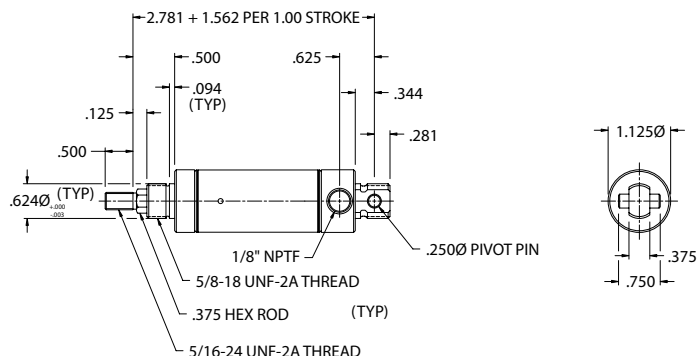
1/2", 1", 1-1/2", 2", 2-1/2", 3", 4"

Maximum Stroke: 6"

Base Weight: .25 lbs.s., plus .12 lbs.s. per inch of stroke

*Optional Accessories:

- B-029003 Pivot Bracket
- B-127004 Rod Clevis



Double Acting – B-1.062DTRM-00A Through Rod

Standard Stroke Lengths:

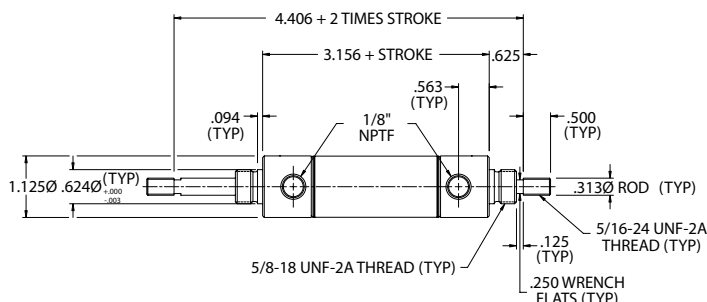
1/2", 1", 1-1/2", 2", 2-1/2", 3", 4", 5", 6"

Maximum Stroke: 12"

Base Weight: .48 lbs.s., plus .07 lbs.s. per inch of stroke

*Optional Accessories:

- B-117005 Mounting Bracket
- B-127004 Rod Clevis



Double Acting – B-1.062DTRH-00A Through Rod Hollow Rod

Standard Stroke Lengths:

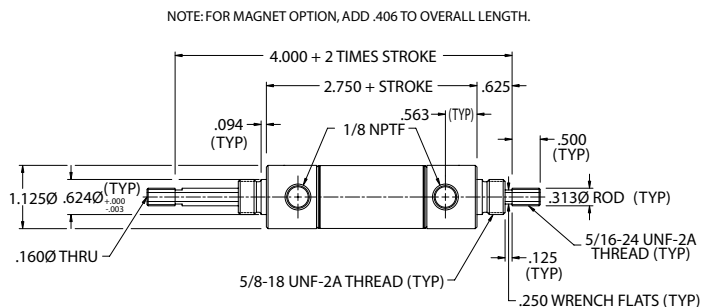
1/2", 1", 1-1/2", 2", 2-1/2", 3", 4", 5", 6"

Maximum Stroke: 12"

Base Weight: .47 lbs., plus .07 lbs. per inch of stroke

*Optional Accessories:

- B-117005 Mounting Bracket
- B-127004 Rod Clevis



Double Acting – B-1.062DFBM-00A Front Block Mount

Standard Stroke Lengths:

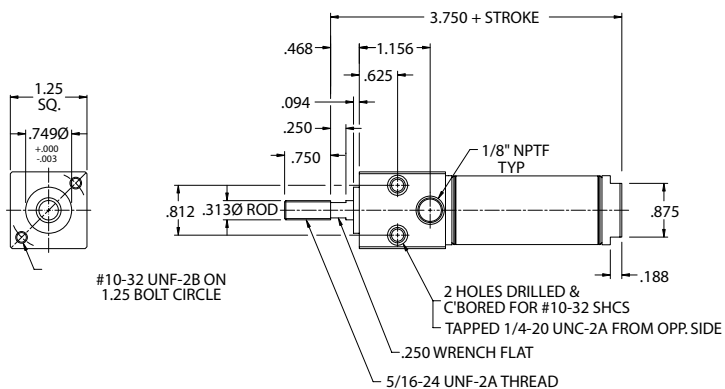
1/2", 1", 1-1/2", 2", 2-1/2", 3", 4", 5", 6"

Maximum Stroke: 12"

Base Weight: .49 lbs., plus .05 lbs. per inch of stroke

*Optional Accessories:

- B-127004 Rod Clevis





1-1/16" Bore Cylinder

Bore Double Acting – **B-1.062DTNM-00A**
Trunnion Mount

Standard Stroke Lengths:

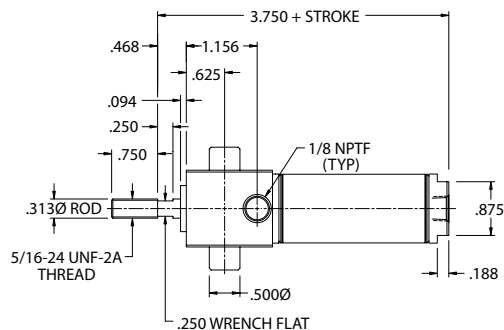
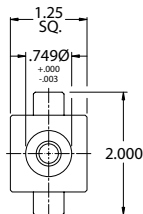
1/2", 1", 1-1/2", 2", 2-1/2", 3", 4", 5", 6"

Maximum Stroke: 12"

Base Weight: .49 lbs., plus .05 lbs. per inch of stroke

*Optional Accessories:

- B-029006 Pivot Bracket
- B-127004 Rod Clevis

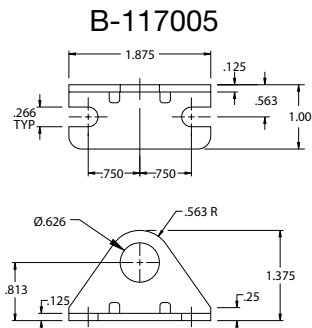


1-1/16" Bore Cylinder Specifications

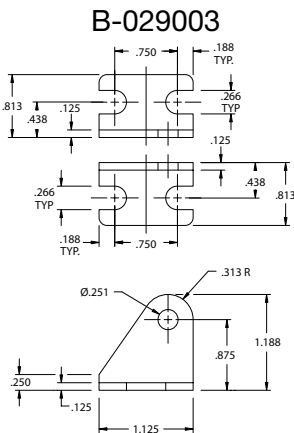
- (0.9) X (Air Line Pressure) = Approximate Force Exerted
- Enclosed spring force: 3 lbs. retracted, 6 lbs. extended. Note that SENM and SERP is 6 lbs. retracted, 12 lbs. extended.
- Mounting nuts are standard on all nose mount cylinders.
- Viton® seals are optional on all cylinders for 200° - 350°F applications.
- Bumpers are optional on all 1-1/16" bore cylinders (except in combination with Viton® option).
- Magnetic piston optional on all double acting 1-1/16" bore cylinders (except in combination with Viton® option).
- For bumper option, add .125" to overall length.
- Magnetic piston option on DTRH mount adds .406 to overall length. For DTRM Mount, add 0.25" to overall length.

1-1/16" Bore Accessories

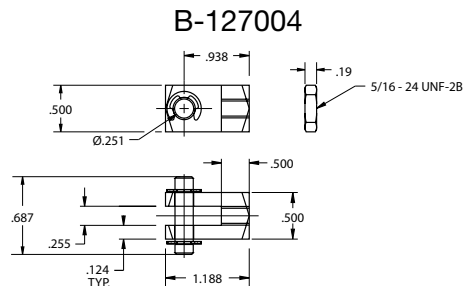
Nose Mounting Brackets



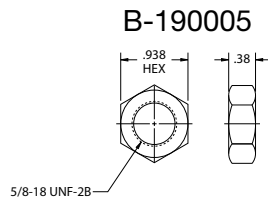
Pivot Mount Bracket



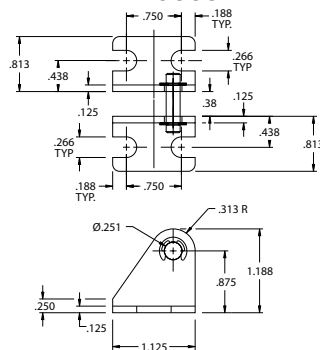
Rod Clevis



Mounting Nuts



B-129003





1-1/4" Bore Cylinder

Single Acting Spring Return – **B-1.250SRNM-00A**

Front Nose Mount

Standard Stroke Lengths:

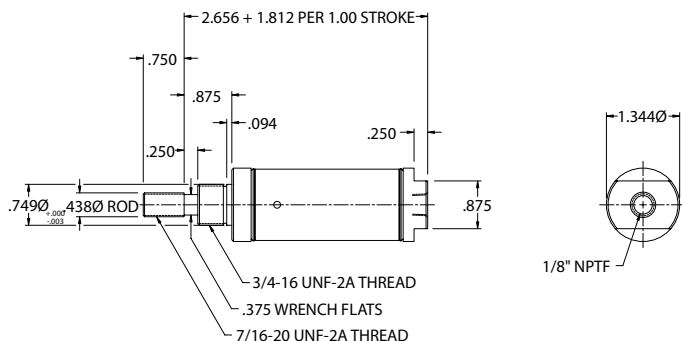
1/2", 1", 1-1/2" 2", 2-1/2", 3", 4"

Maximum Stroke: 6"

Base Weight: .39 lbs., plus .21 lbs. per inch of stroke

*Optional Accessories:

- B-117007 Mounting Bracket
- B-127005 Rod Clevis



Single Acting Spring Return – **B-1.250SRRP-00A**

Double Nose or Rear Pivot Mount

Standard Stroke Lengths:

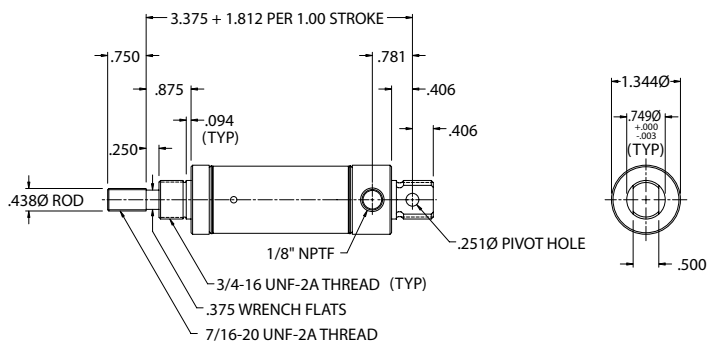
1/2", 1", 1-1/2" 2", 2-1/2", 3", 4"

Maximum Stroke: 6"

Base Weight: .53 lbs., plus .21 lbs. per inch of stroke

*Optional Accessories:

- B-117007 Mounting Bracket
- B-229003 Pivot Bracket
- B-127005 Rod Clevis



Single Acting Spring Extend – **B-1.250SENM-00A**

Front Nose Mount

Standard Stroke Lengths:

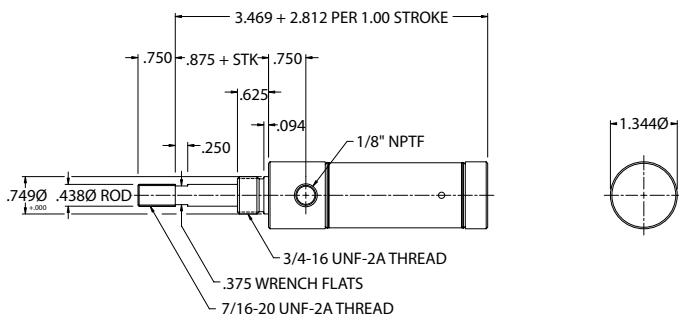
1/2", 1", 1-1/2" 2", 2-1/2", 3", 4"

Maximum Stroke: 6"

Base Weight: .50 lbs., plus .21 lbs. per inch of stroke

*Optional Accessories:

- B-117007 Mounting Bracket
- B-127005 Rod Clevis



Single Acting Spring Extend – **B-1.250SERP-00A**

Double Nose or Rear Pivot Mount

Standard Stroke Lengths:

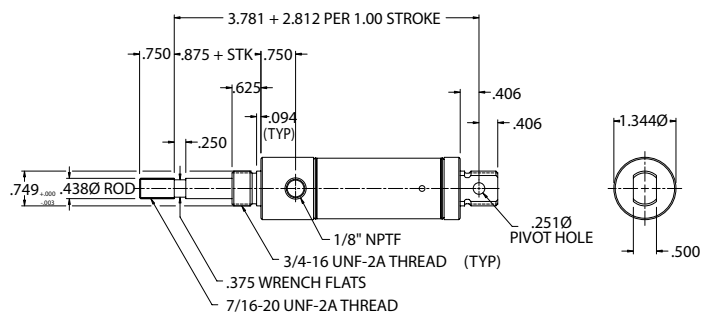
1/2", 1", 1-1/2" 2", 2-1/2", 3", 4"

Maximum Stroke: 6"

Base Weight: .57 lbs., plus .21 lbs. per inch of stroke

*Optional Accessories:

- B-117007 Mounting Bracket
- B-229003 Pivot Bracket
- B-127005 Rod Clevis





1-1/4" Bore Cylinder

Double Acting – **B-1.250DFNM-00A**

Front Nose Mount

Standard Stroke Lengths:

1/2", 1", 1-1/2", 2", 2-1/2", 3", 4", 5", 6", 7", 8", 9", 10", 11", 12"

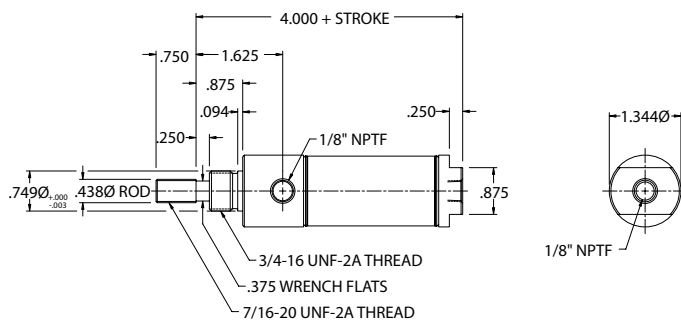
Maximum Stroke: 12"

Base Weight: .58 lbs., plus .08 lbs. per inch of stroke

*Optional Accessories:

- B-117007 Mounting Bracket
- B-127005 Rod Clevis

For bumpers and magnetic band option add .125" to overall length.



Double Acting – **B-1.250DRPM-00A**

Double Nose or Rear Pivot Mount

Standard Stroke Lengths:

1/2", 1", 1-1/2", 2", 2-1/2", 3", 4", 5", 6", 7", 8", 9", 10", 11", 12"

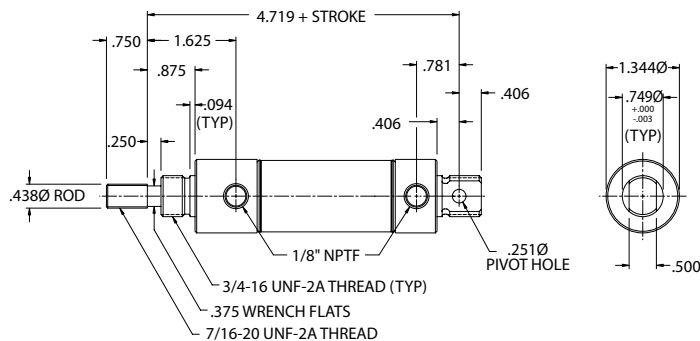
Maximum Stroke: 32"

Base Weight: .71 lbs., plus .08 lbs. per inch of stroke

*Optional Accessories:

- B-117007 Mounting Bracket
- B-229003 Pivot Bracket
- B-127005 Rod Clevis

For bumpers and magnetic band option add .125" to overall length.



Single Acting Spring Return – **B-1.250SNNM-00A**

Front Nose Mount **Non-Rotating**

Standard Stroke Lengths:

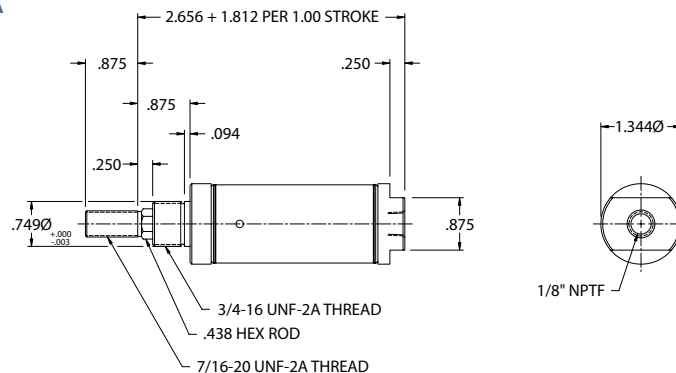
1/2", 1", 1-1/2", 2", 2-1/2", 3", 4"

Maximum Stroke: 6"

Base Weight: .25 lbs., plus .12 lbs. per inch of stroke

*Optional Accessories:

- B-117007 Mounting Bracket
- B-127005 Rod Clevis



Single Acting Spring Return – **B-1.250SNRP-00A**

Rear Pivot Mount **Non-Rotating**

Standard Stroke Lengths:

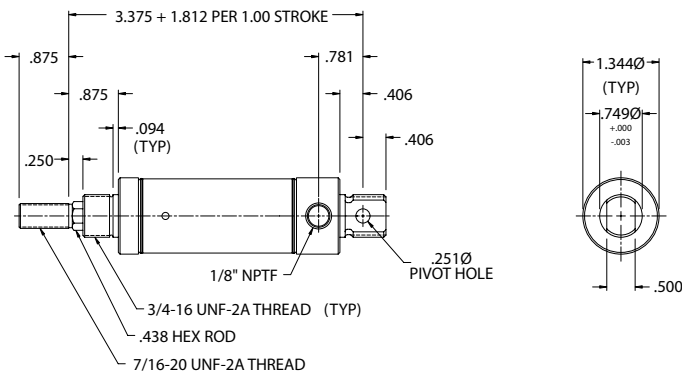
1/2", 1", 1-1/2", 2", 2-1/2", 3", 4"

Maximum Stroke: 6"

Base Weight: .25 lbs., plus .12 lbs. per inch of stroke

*Optional Accessories:

- B-117007 Mounting Bracket
- B-229003 Pivot Bracket
- B-127005 Rod Clevis





1-1/4" Bore Cylinder

Double Acting – B-1.250DTRM-00A Through Rod

Standard Stroke Lengths:

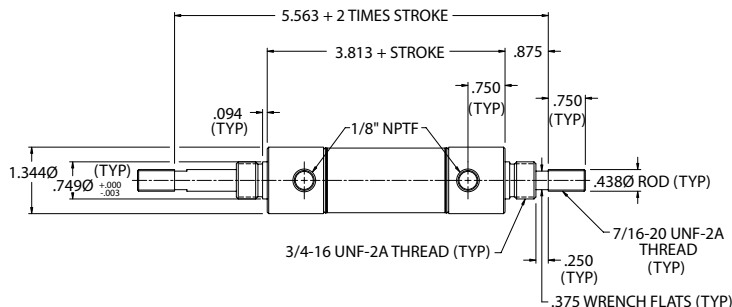
1/2", 1", 1-1/2", 2", 2-1/2", 3", 4", 5", 6"

Maximum Stroke: 12"

Base Weight: .98 lbs., plus .12 lbs. per inch of stroke

*Optional Accessories:

- B-117007 Mounting Bracket
- B-127005 Rod Clevis



Double Acting – B-1.250DTRH-00A Through Rod Hollow Rod

Standard Stroke Lengths:

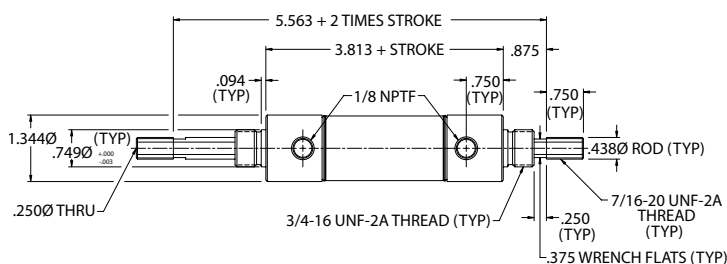
1/2", 1", 1-1/2", 2", 2-1/2", 3", 4", 5", 6"

Maximum Stroke: 12"

Base Weight: .97 lbs., plus .12 lbs. per inch of stroke

*Optional Accessories:

- B-117007 Mounting Bracket
- B-127005 Rod Clevis

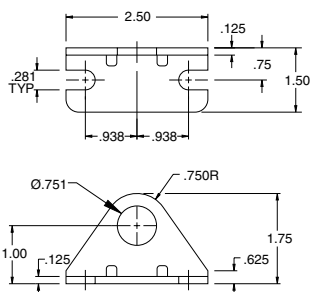


1-1/4" Bore Cylinder Specifications

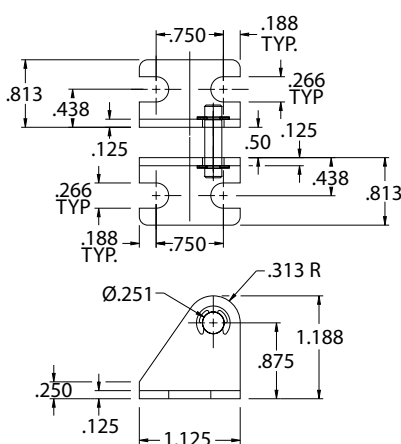
- (1.2) X (Air Line Pressure) = Approximate Force Exerted
- Enclosed spring force: 7.5 lbs. retracted, 15 lbs. extended.
- Mounting nuts are standard on all nose mount cylinders.
- Viton® seals are optional on all cylinders for 200° - 350°F applications.
- Bumpers are optional on all 1-1/4" bore cylinders (except in combination with Viton® option).
- Magnetic piston optional on all double acting 1-1/4" bore cylinders (except in combination with Viton® option).
- Bumper and magnet option on 1-1/4" bore double acting cylinders adds .125" to overall length.

1-1/4" Bore Accessories

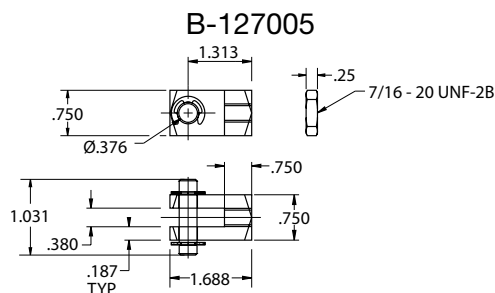
Nose Mounting Brackets B-117007



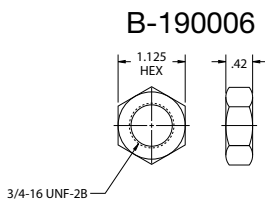
Pivot Mount Bracket B-229003



Rod Clevis B-127005



Mounting Nuts B-190006





1-1/2" Bore Cylinder

Single Acting Spring Return – **B-1.500SRNM-00A**

Front Nose Mount

Standard Stroke Lengths:

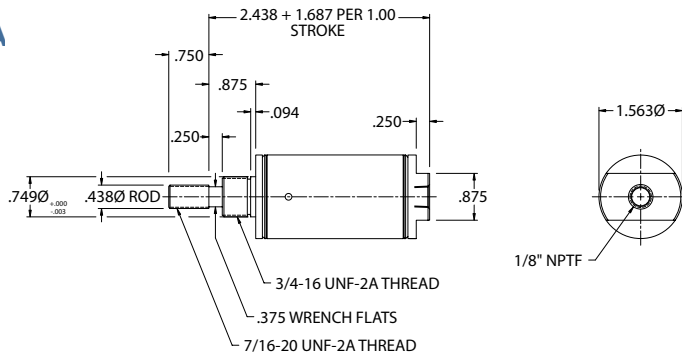
1/2", 1", 1-1/2", 2", 2-1/2", 3", 4"

Maximum Stroke: 6"

Base Weight: .44 lbs., plus .22 lbs. per inch of stroke

*Optional Accessories:

- B-117007 Mounting Bracket
- B-127005 Rod Clevis



Single Acting Spring Return – **B-1500SRRP-00A**

Rear Pivot Mount

Standard Stroke Lengths:

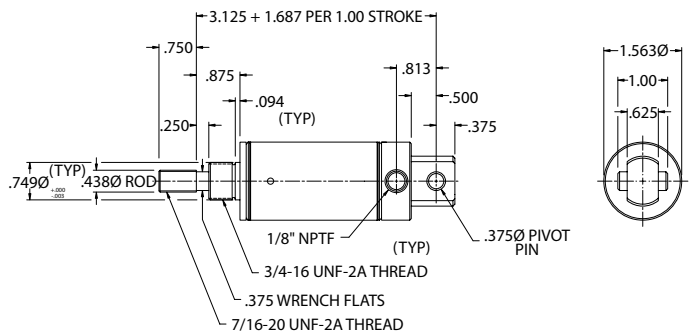
1/2", 1", 1-1/2", 2", 2-1/2", 3", 4"

Maximum Stroke: 6"

Base Weight: .45 lbs., plus .22 lbs. per inch of stroke

*Optional Accessories:

- B-029004 Pivot Bracket
- B-127005 Rod Clevis



Single Acting Spring Extend – **B-1.500SENM-00A**

Front Nose Mount

Standard Stroke Lengths:

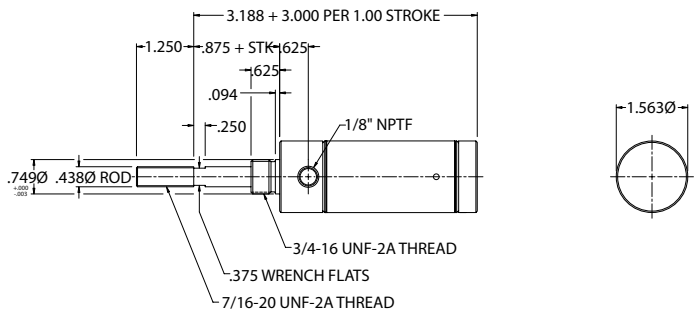
1/2", 1", 1-1/2", 2", 2-1/2", 3", 4"

Maximum Stroke: 6"

Base Weight: .44 lbs., plus .22 lbs. per inch of stroke

*Optional Accessories:

- B-117007 Mounting Bracket
- B-127005 Rod Clevis



Single Acting Spring Extend – **B-1.500SERP-00A**

Rear Pivot Mount

Standard Stroke Lengths:

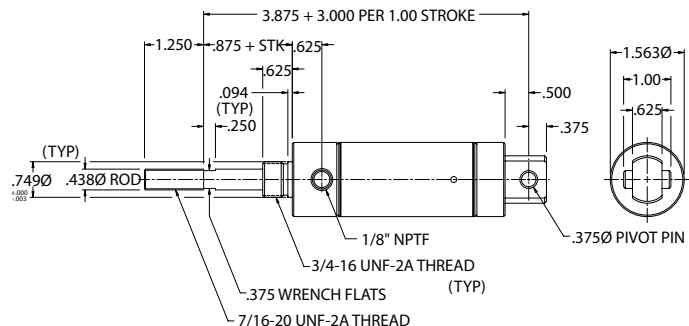
1/2", 1", 1-1/2", 2", 2-1/2", 3", 4"

Maximum Stroke: 6"

Base Weight: .45 lbs., plus .22 lbs. per inch of stroke

*Optional Accessories:

- B-029004 Pivot Bracket
- B-127005 Rod Clevis





1-1/2" Bore Cylinder

Double Acting – **B-1.500DFNM-00A**

Front Nose Mount

Standard Stroke Lengths:

1/2", 1", 1-1/2", 2", 2-1/2", 3", 4", 5", 6", 7", 8", 9", 10", 11", 12"

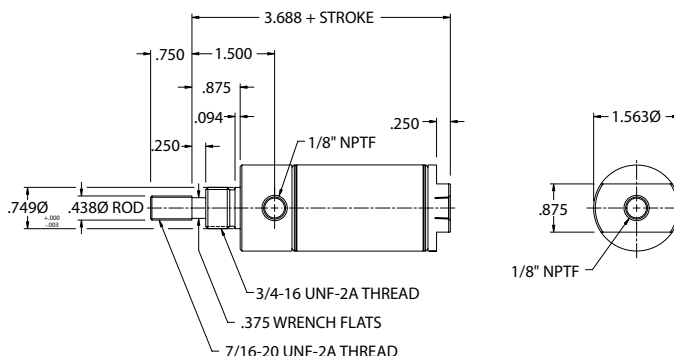
Maximum Stroke: 12"

Base Weight: .69 lbs., plus .08 lbs. per inch of stroke

*Optional Accessories:

- B-117007 Mounting Bracket
- B-127005 Rod Clevis

For bumper and magnetic band option add .250" to overall length.



Double Acting – **B-1.500DRPM-00A**

Rear Pivot Mount

Standard Stroke Lengths:

1/2", 1", 1-1/2", 2", 2-1/2", 3", 4", 5", 6", 7", 8", 9", 10", 11", 12"

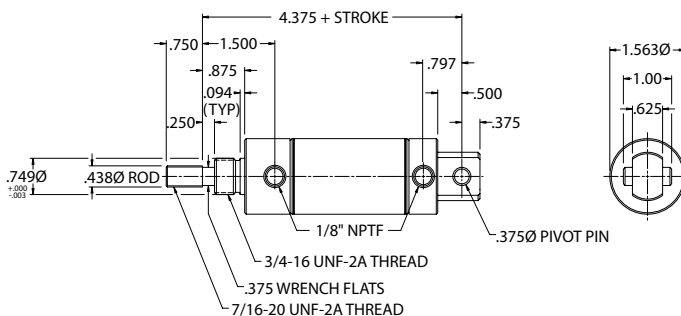
Maximum Stroke: 32"

Base Weight: .73 lbs., plus .08 lbs. per inch of stroke

*Optional Accessories:

- B-029004 Pivot Bracket
- B-127005 Rod Clevis

For bumper and magnetic band option add .250" to overall length.



Double Acting – **B-1.500DDNM-00A**

Double Nose Mount

Standard Stroke Lengths:

1/2", 1", 1-1/2", 2", 2-1/2", 3", 4", 5", 6", 7", 8", 9", 10", 11", 12"

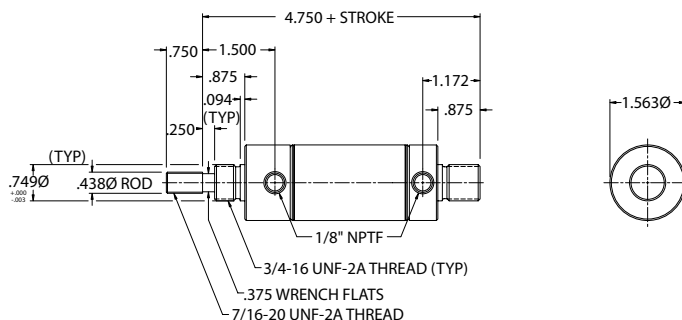
Maximum Stroke: 32"

Base Weight: .82 lbs., plus .08 lbs. per inch of stroke

*Optional Accessories:

- B-117007 Mounting Bracket
- B-127005 Rod Clevis

For bumper and magnetic band option add .250" to overall length.



Single Acting Spring Return – **B-1.500SNM-00A**

Front Nose Mount **Non-Rotating**

Standard Stroke Lengths:

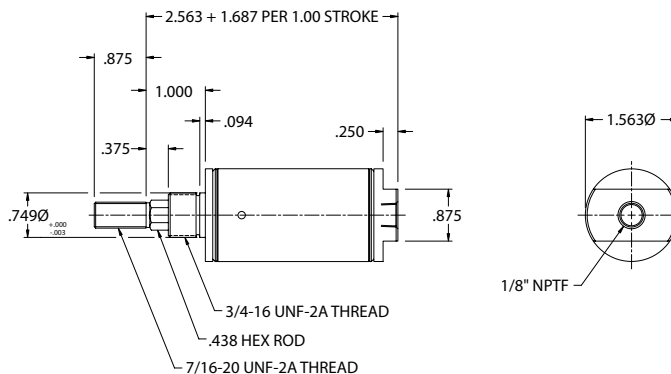
1/2", 1", 1-1/2", 2", 2-1/2", 3", 4"

Maximum Stroke: 6"

Base Weight: .45 lbs., plus .22 lbs. per inch of stroke

*Optional Accessories:

- B-117007 Mounting Bracket
- B-127005 Rod Clevis





1-1/2" Bore Cylinder

Single Acting Spring Return – B-1.500SNRP-00A Rear Pivot Mount Non-Rotating

Standard Stroke Lengths:

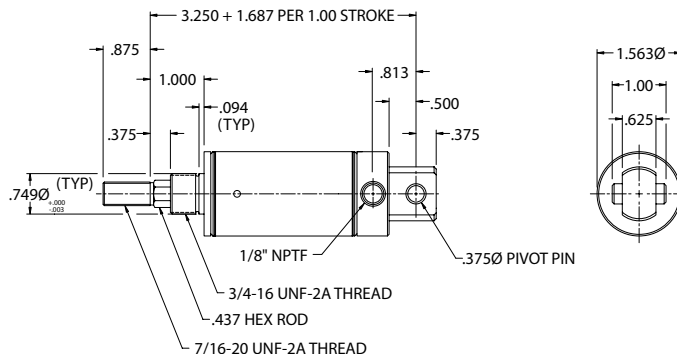
1/2", 1", 1-1/2", 2", 2-1/2", 3", 4"

Maximum Stroke: 6"

Base Weight: .46 lbs., plus .22 lbs. per inch of stroke

*Optional Accessories:

- B-029004 Pivot Bracket
- B-127005 Rod Clevis



Double Acting – B-1.500DTRM-00A Through Rod

Standard Stroke Lengths:

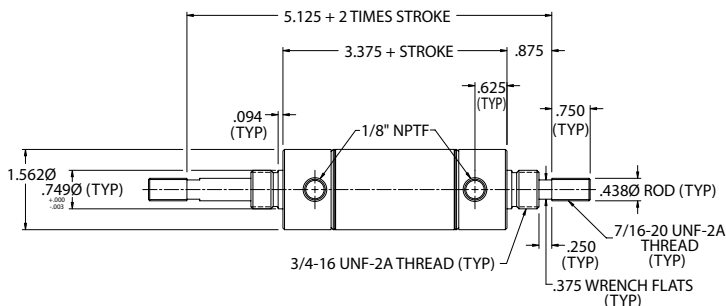
1/2", 1", 1-1/2", 2", 2-1/2", 3", 4", 5", 6"

Maximum Stroke: 12"

Base Weight: 1.17 lbs., plus .13 lbs. per inch of stroke

*Optional Accessories:

- B-117007 Mounting Bracket
- B-127005 Rod Clevis



Double Acting – B-1.500DTRH-00A Through Rod Hollow Rod

Standard Stroke Lengths:

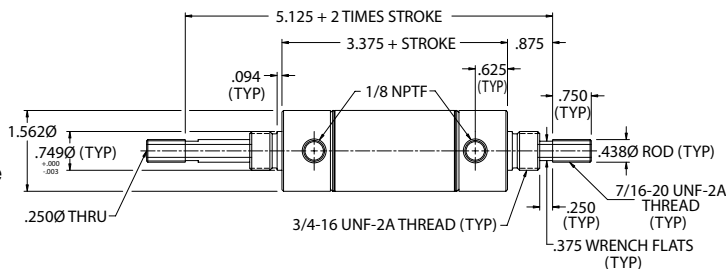
1/2", 1", 1-1/2", 2", 2-1/2", 3", 4", 5", 6"

Maximum Stroke: 12"

Base Weight: 1.16 lbs., plus .13 lbs. per inch of stroke

*Optional Accessories:

- B-117007 Mounting Bracket
- B-127005 Rod Clevis



Double Acting – B-1.500DFBM-00A Front Block Mount

Standard Stroke Lengths:

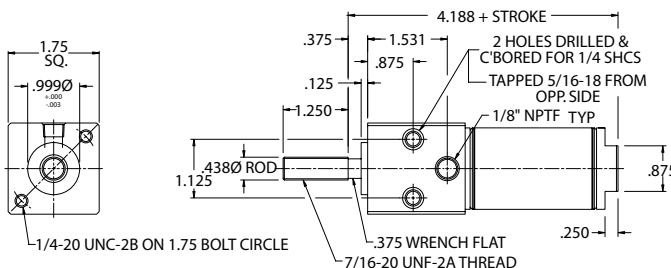
1/2", 1", 1-1/2", 2", 2-1/2", 3", 4", 5", 6"

Maximum Stroke: 12"

Base Weight: .99 lbs., plus .08 lbs. per inch of stroke

*Optional Accessories:

- B-127005 Rod Clevis





1-1/2" Bore Cylinder

Double Acting – B-1.500DTNM-00A

Trunnion Mount

Standard Stroke Lengths:

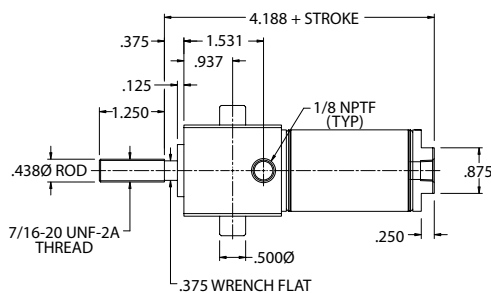
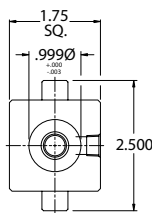
1/2", 1", 1-1/2", 2", 2-1/2", 3", 4", 5", 6"

Maximum Stroke: 12"

Base Weight: 1.06 lbs., plus .08 lbs. per inch of stroke

*Optional Accessories:

- B-029006 Pivot Bracket
- B-127005 Rod Clevis



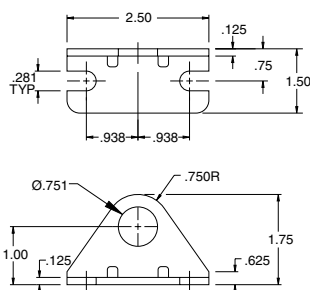
1-1/2" Bore Cylinder Specifications

- (1.7) X (Air Line Pressure) = Approximate Force Exerted
- Enclosed spring force: 7 lbs. retracted, 14 lbs. extended. Note that R01 and R02 is 9 lbs. retracted, 17 lbs. extended.
- Mounting nuts are standard on all nose mount cylinders.
- Viton® seals are optional on all cylinders for 200° - 350°F applications.
- Bumpers are optional on all 1-1/2" bore cylinders (except in combination with Viton® option).
- Magnetic piston optional on all double acting 1-1/2" bore cylinders (except in combination with Viton® option).
- Bumper and magnet option on 1-1/2" bore double acting cylinder adds .250" to overall length.

1-1/2" Bore Accessories

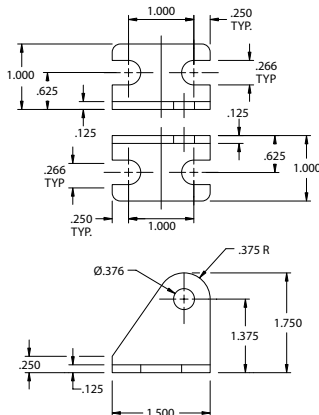
Nose Mounting Brackets

B-117007



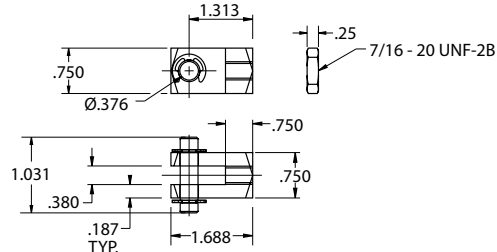
Pivot Mount Bracket

B-029004



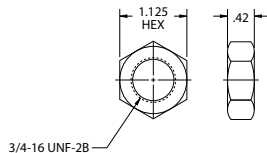
Rod Clevis

B-127005

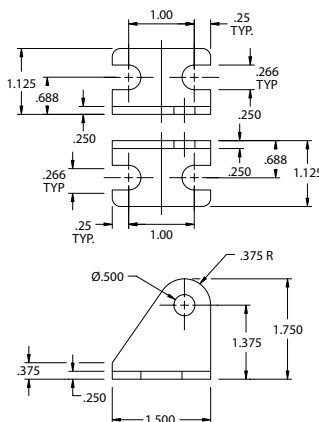


Mounting Nuts

B-190006



B-029006





1-3/4" Bore Cylinder

Single Acting Spring Return – **B-1.750SRNM-00A**

Front Nose Mount

Standard Stroke Lengths:

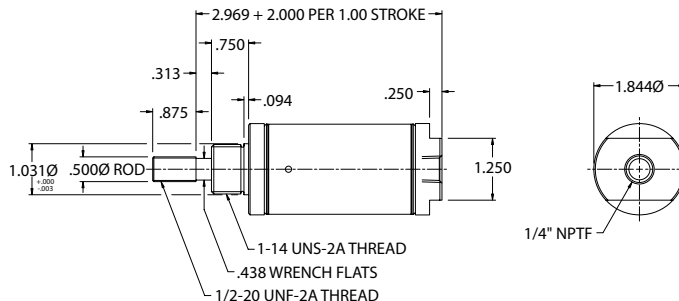
1/2", 1", 1-1/2", 2", 2-1/2", 3", 4"

Maximum Stroke: 6"

Base Weight: .85 lbs., plus .36 lbs. per inch of stroke

*Optional Accessories:

- B-117008 Mounting Bracket
- B-127006 Rod Clevis



Single Acting Spring Return – **B-1.750SRRP-00A**

Double Nose or Rear Pivot Mount

Standard Stroke Lengths:

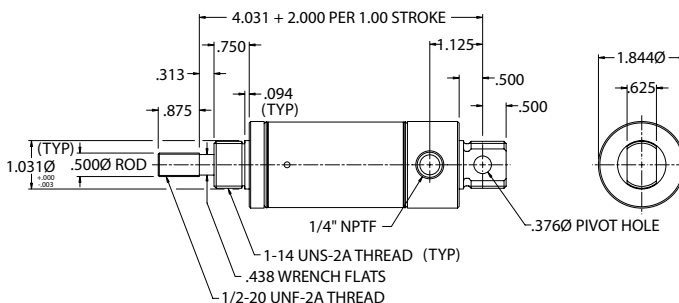
1/2", 1", 1-1/2", 2", 2-1/2", 3", 4"

Maximum Stroke: 6"

Base Weight: .86 lbs., plus .36 lbs. per inch of stroke

*Optional Accessories:

- B-117008 Mounting Bracket
- B-129005 Pivot Bracket
- B-127006 Rod Clevis



Single Acting Spring Extend – **B-1.750SENM-00A**

Front Nose Mount

Standard Stroke Lengths:

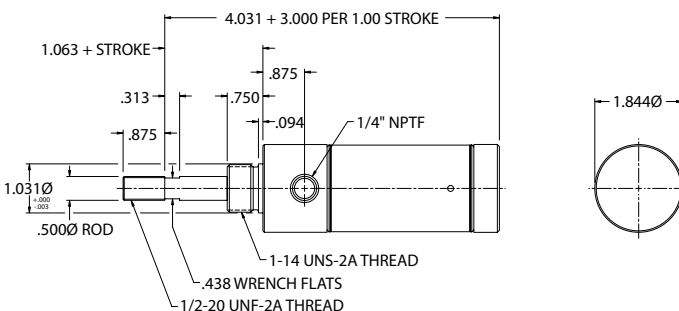
1/2", 1", 1-1/2", 2", 2-1/2", 3", 4"

Maximum Stroke: 6"

Base Weight: 1.17 lbs., plus .31 lbs. per inch of stroke

*Optional Accessories:

- B-117008 Mounting Bracket
- B-127006 Rod Clevis





1-3/4" Bore Cylinder

Double Acting – **B-1.750DFNM-00A**

Front Nose Mount

Standard Stroke Lengths:

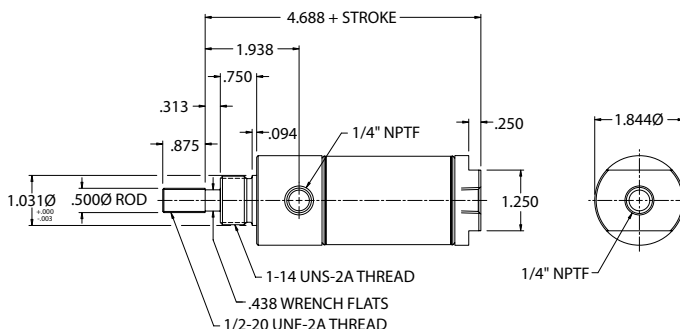
1/2", 1", 1-1/2", 2", 2-1/2", 3", 4", 5", 6", 7", 8", 9", 10", 11", 12"

Maximum Stroke: 12"

Base Weight: 1.29 lbs., plus .11 lbs. per inch of stroke

*Optional Accessories:

- B-117008 Mounting Bracket
- B-127006 Rod Clevis



Double Acting – **B-1.750DRPM-00A**

Double Nose or Rear Pivot Mount

Standard Stroke Lengths:

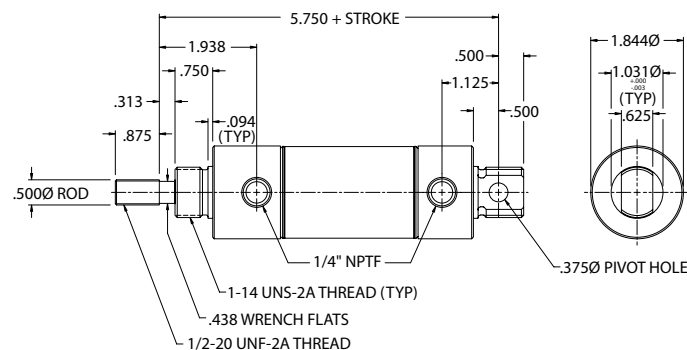
1/2", 1", 1-1/2", 2", 2-1/2", 3", 4", 5", 6", 7", 8", 9", 10", 11", 12"

Maximum Stroke: 32"

Base Weight: 1.64 lbs., plus .11 lbs. per inch of stroke

*Optional Accessories:

- B-117008 Mounting Bracket
- B-129005 Pivot Bracket
- B-127006 Rod Clevis

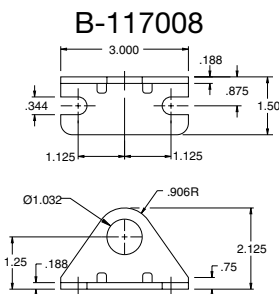


1-3/4" Bore Cylinder Specifications

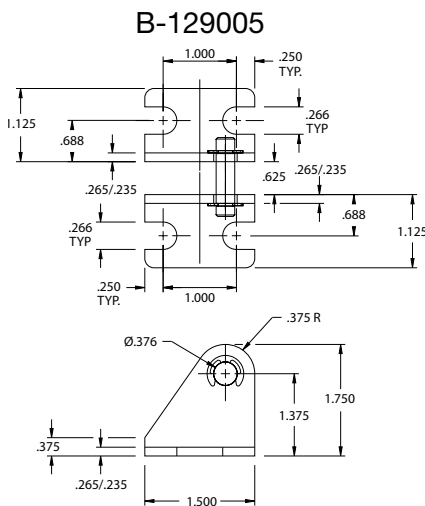
- (2.4) X (Air Line Pressure) = Approximate Force Exerted
- Enclosed spring force: 11 lbs. retracted, 24 lbs. extended.
- Mounting nuts are standard on all nose mount cylinders.
- Viton® seals are optional on all cylinders for 200° - 350°F applications.
- Bumpers are optional on all 1-3/4" bore cylinders (except in combination with Viton® option).
- Magnetic piston optional on all double acting 1-3/4" bore cylinders (except in combination with Viton® option).

1-3/4" Bore Accessories

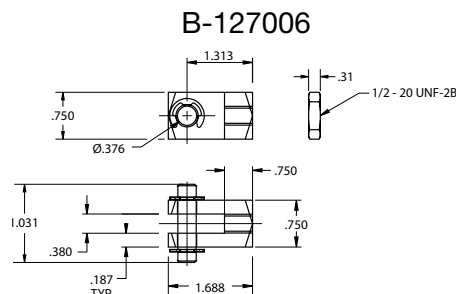
Nose Mounting Brackets



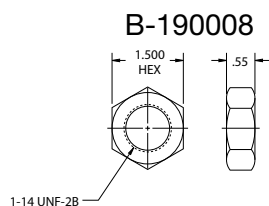
Pivot Mount Bracket



Rod Clevis



Mounting Nuts





2" Bore Cylinder

Single Acting Spring Return – **B-2.000SRNM-00A**
Front Nose Mount

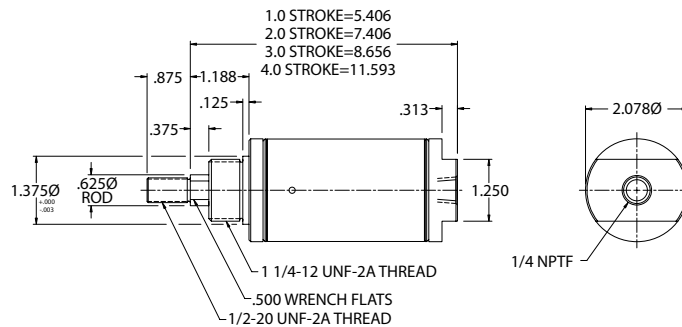
Standard Stroke Lengths:
1/2", 1", 1-1/2", 2", 2-1/2", 3", 4"

Maximum Stroke: 4"

Base Weight: 1.04 lbs., plus .43 lbs. per inch of stroke

*Optional Accessories:

- B-117009 Mounting Bracket
- B-127006 Rod Clevis



Single Acting Spring Return – **B-2.000SRRP-00A**
Double Nose or Rear Pivot Mount

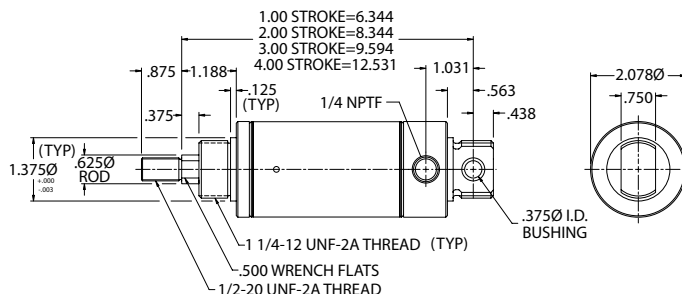
Standard Stroke Lengths:
1/2", 1", 1-1/2", 2", 2-1/2", 3", 4"

Maximum Stroke: 4"

Base Weight: 1.26 lbs., plus .43 lbs. per inch of stroke

*Optional Accessories:

- B-117009 Mounting Bracket
- B-229005 Pivot Bracket
- B-127006 Rod Clevis



Single Acting Spring Extend – **B-2.000SENM-00A**
Front Nose Mount

Standard Stroke Lengths:
1/2", 1", 1-1/2", 2", 2-1/2", 3", 4"

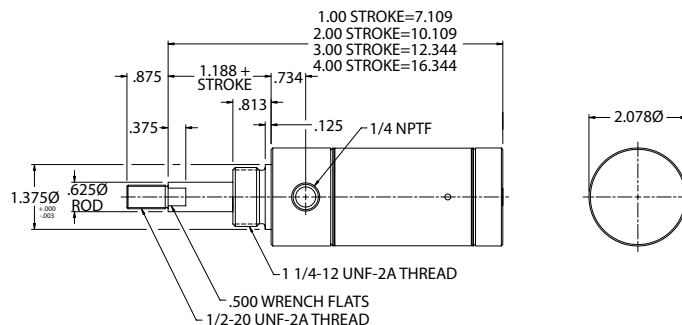
Maximum Stroke: 4"

Base Weight: 1.24 lbs., plus .43 lbs. per inch of stroke

*Optional Accessories:

- B-117009 Mounting Bracket
- B-127006 Rod Clevis

For bumper option, add .125" to overall length.



Single Acting Spring Extend – **B-2.000SERP-00A**
Double Nose or Rear Pivot Mount

Standard Stroke Lengths:
1/2", 1", 1-1/2", 2", 2-1/2", 3", 4"

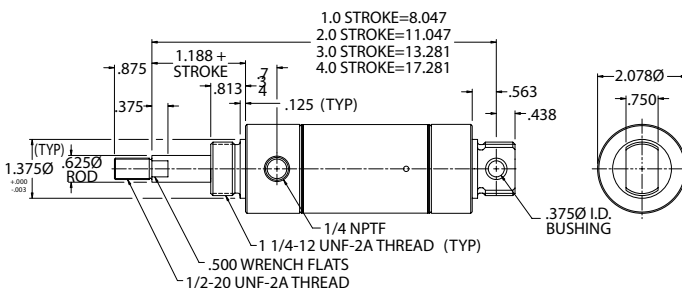
Maximum Stroke: 4"

Base Weight: 1.46 lbs., plus .43 lbs. per inch of stroke

*Optional Accessories:

- B-117009 Mounting Bracket
- B-229005 Pivot Bracket
- B-127006 Rod Clevis

For bumper option, add .125" to overall length.





2" Bore Cylinder

Double Acting – **B-2.000DFNM-00A**

Front Nose Mount

Standard Stroke Lengths:

1/2", 1", 1-1/2", 2", 2-1/2", 3", 4", 5", 6", 7", 8"

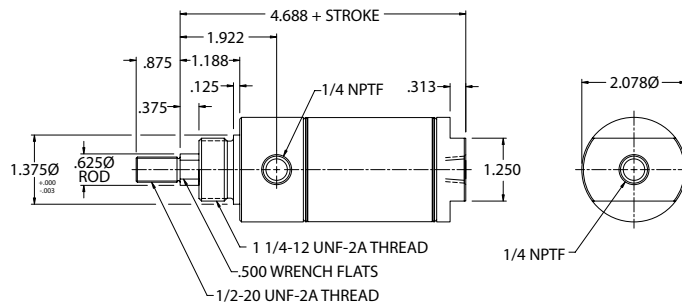
Maximum Stroke: 12"

Base Weight: 1.40 lbs., plus .15 lbs. per inch of stroke

*Optional Accessories:

- B-117009 Mounting Bracket
- B-127006 Rod Clevis

For bumper option, add .250 to overall length.



Double Acting – **B-2.000DRPM-00A**

Double Nose or Rear Pivot Mount

Standard Stroke Lengths:

1/2", 1", 1-1/2", 2", 2-1/2", 3", 4", 5", 6", 7", 8", 9", 10", 11", 12"

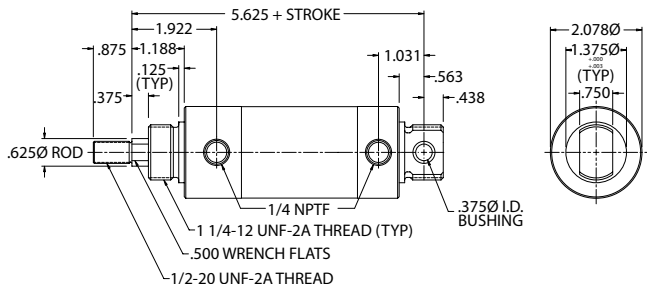
Maximum Stroke: 32"

Base Weight: 1.62 lbs., plus .15 lbs. per inch of stroke

*Optional Accessories:

- B-117009 Mounting Bracket
- B-229005 Pivot Bracket
- B-127006 Rod Clevis

For bumper option, add .250 to overall length.



Double Acting – **B-2.000DTRM-00A**

Through Rod

Standard Stroke Lengths:

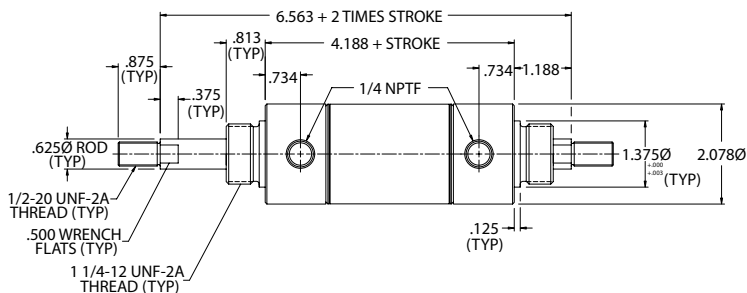
1/2", 1", 1-1/2", 2", 2-1/2", 3", 4", 5", 6"

Maximum Stroke: 12"

Base Weight: 1.97 lbs., plus .24 lbs. per inch of stroke

*Optional Accessories:

- B-117009 Mounting Bracket
- B-127006 Rod Clevis



2" Bore Cylinder Specifications

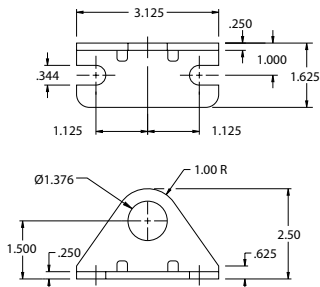
- (3.1) X (Air Line Pressure) = Approximate Force Exerted
- Enclosed spring force: 15 lbs. retracted, 30 lbs. extended.
- Mounting nuts are standard on all nose mount cylinders.
- Viton® seals are optional on all cylinders for 200° - 350°F applications.
- Bumpers are optional on all 2" bore cylinders (except in combination with Viton® option).
- Magnetic piston optional on all double acting 2" bore cylinders (except in combination with Viton® option).
- Bumper option on single acting spring extend cylinders adds .125" to overall length.
- Bumper option on all double acting cylinders adds .250 to overall length.



2" Bore Accessories

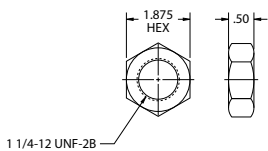
Nose Mounting Brackets

B-117009



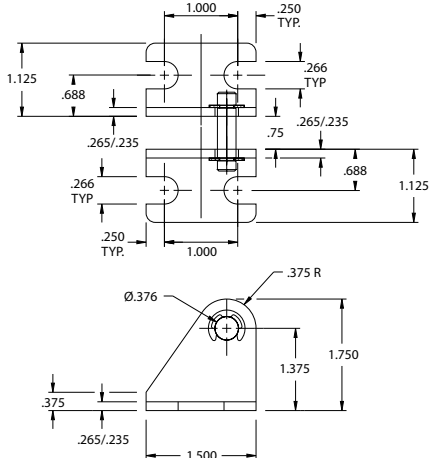
Mounting Nuts

B-190009



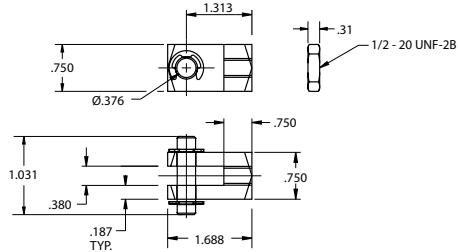
Pivot Mount Bracket

B-229005



Rod Clevis

B-127006





2-1/2" Bore Cylinder

Double Acting – **B-2.500DFNM-00A**

Front Nose Mount

Standard Stroke Lengths:

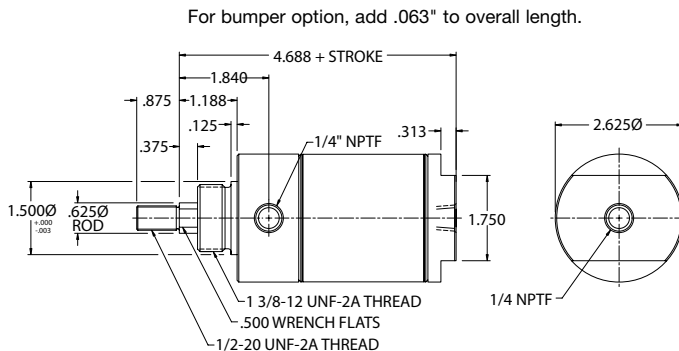
1/2", 1", 1-1/2", 2", 2-1/2", 3", 4", 5", 6", 7", 8", 9", 10", 11", 12"

Maximum Stroke: 12"

Base Weight: 1.98 lbs., plus .17 lbs. per inch of stroke

*Optional Accessories:

- B-127006 Rod Clevis



Double Acting – **B-2.500DRPM-00A**

Rear Pivot Mount

Standard Stroke Lengths:

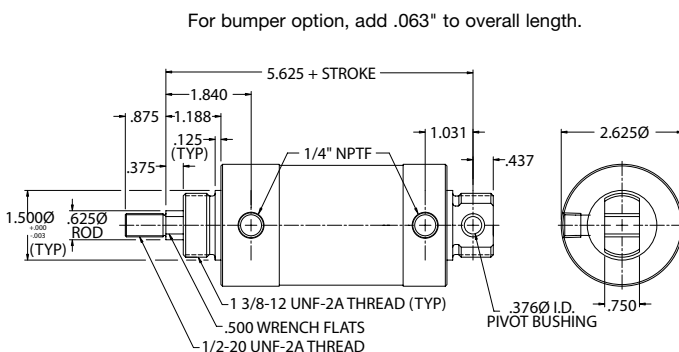
1/2", 1", 1-1/2", 2", 2-1/2", 3", 4", 5", 6", 7", 8", 9", 10", 11", 12"

Maximum Stroke: 32"

Base Weight: 2.27 lbs., plus .17 lbs. per inch of stroke

*Optional Accessories:

- B-229005 Pivot Bracket
- B-127006 Rod Clevis



2-1/2" Bore Cylinder Specifications

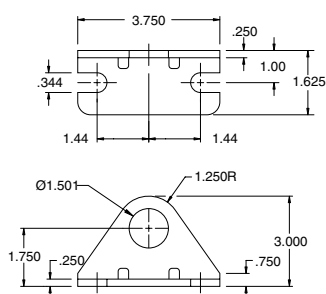
- (5.0) X (Air Line Pressure) = Approximate Force Exerted
- Type 303 stainless steel rod as standard.
- Viton® seals are optional on all cylinders for 200° - 350°F applications.
- Magnetic piston optional on all 2-1/2" bore cylinders.
- Bumper option on all 2-1/2" bore cylinders adds .063" to overall length.

NOTE: Consult AutomationStore.com for 2-1/2" bore DTRM mount information.

2-1/2" Bore Accessories

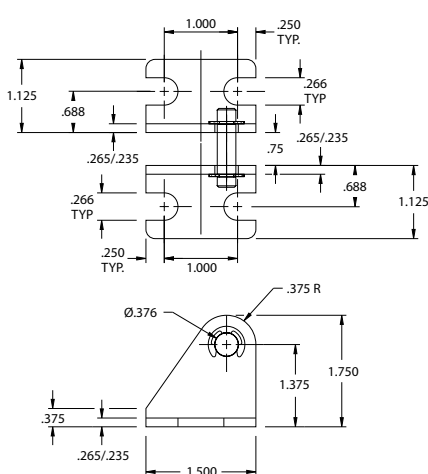
Nose Mounting Brackets

B-117010



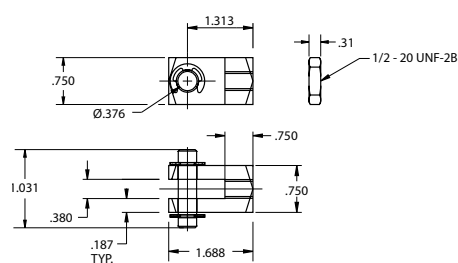
Pivot Mount Bracket

B-229005



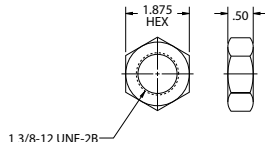
Rod Clevis

B-127006



Mounting Nuts

B-190012





3" Bore Cylinder

Double Acting – **B-3.000DFNM-00A**

Front Nose Mount

Standard Stroke Lengths:

1/2", 1", 1-1/2", 2", 2-1/2", 3", 4", 5", 6"

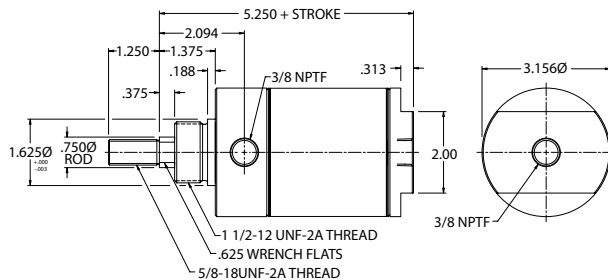
Maximum Stroke: 12"

Base Weight: 3.34 lbs., plus .26 lbs. per inch of stroke

*Optional Accessories:

- B-117009 Mounting Bracket
- B-127007 Rod Clevis

For bumper option, add .063" to overall length.



Double Acting – **B-3.000DRPM-00A**

Double Nose or Rear Pivot Mount

Standard Stroke Lengths:

1/2", 1", 1-1/2", 2", 2-1/2", 3", 4", 5", 6"

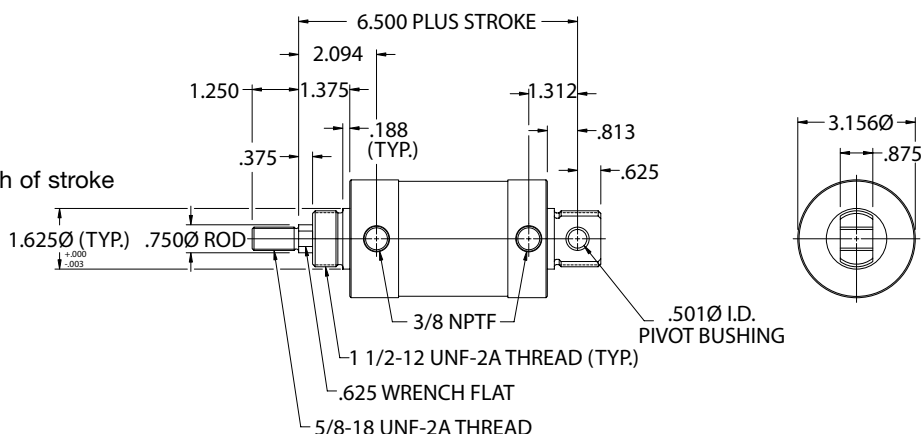
Maximum Stroke: 32"

Base Weight: 3.87 lbs., plus .26 lbs. per inch of stroke

*Optional Accessories:

- B-117009 Mounting Bracket
- B-229005 Pivot Bracket
- B-127007 Rod Clevis

For bumper option, add .063" to overall length.



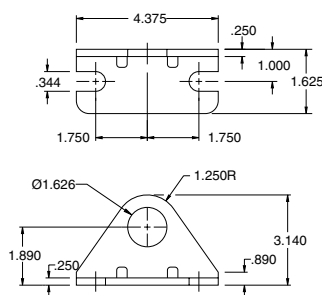
3" Bore Cylinder Specifications

- (7.0) X (Air Line Pressure) = Approximate Force Exerted
- Type 303 stainless steel rod as standard.
- Viton® seals are optional on all cylinders for 200° - 350°F applications.
- Magnetic piston optional on all 3" bore cylinders.
- Bumper option on all 3" bore cylinders adds .063" to overall length.

3" Bore Accessories

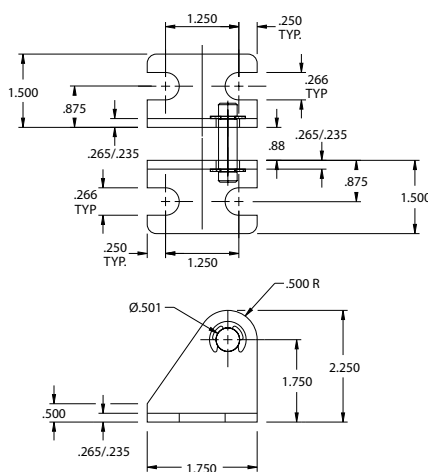
Nose Mounting Brackets

B-117011



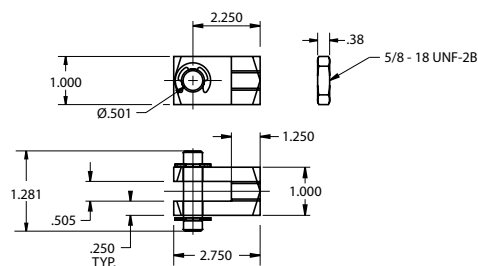
Pivot Mount Bracket

B-229006



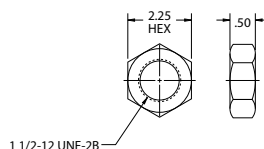
Rod Clevis

B-127007



Mounting Nuts

B-190013





Adjustable Cushion Cylinders

3/4" Bore Double Acting – B-0.750AFNM-00A

Front Nose Mount with Cushions

Standard Stroke Lengths:

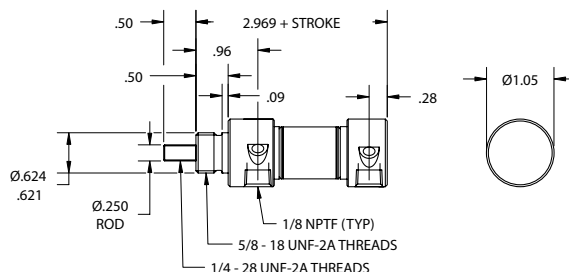
1/2", 1", 1-1/2", 2", 2-1/2", 3", 4", 5", 6"

Maximum Stroke: 12"

Base Weight: .24 lbs., plus .03 lbs. per inch of stroke

*Optional Accessories:

- B-117005 Mounting Bracket
- B-127003 Rod Clevis



3/4" Bore Double Acting – B-0.750ARPM-00A

Rear Pivot Mount with Cushions

Standard Stroke Lengths:

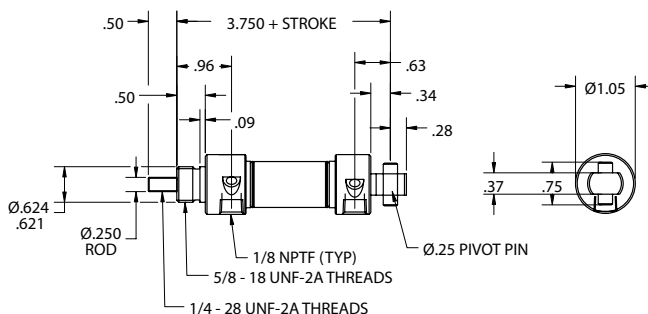
1/2", 1", 1-1/2", 2", 2-1/2", 3", 4", 5", 6"

Maximum Stroke: 12"

Base Weight: .29 lbs., plus .03 lbs. per inch of stroke

*Optional Accessories:

- B-117005 Mounting Bracket
- B-127003 Rod Clevis



1-1/16" Bore Double Acting – B-1.062AFNM-00A

Front Nose Mount with Cushions

Standard Stroke Lengths:

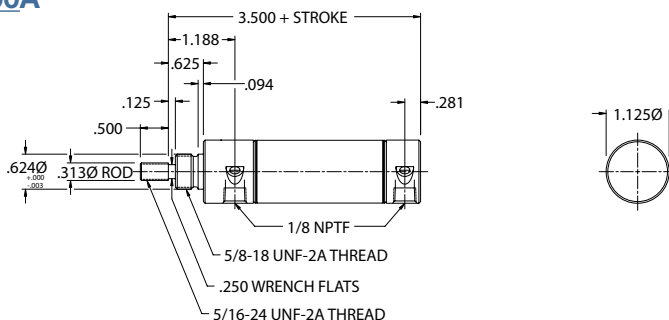
1/2", 1", 1-1/2", 2", 2-1/2", 3", 4", 5", 6"

Maximum Stroke: 12"

Base Weight: .38 lbs., plus .04 lbs. per inch of stroke

*Optional Accessories:

- B-117005 Mounting Bracket
- B-127003 Rod Clevis



1-1/16" Bore Double Acting – B-1.062ARPM-00A

Rear Pivot Mount with Cushions

Standard Stroke Lengths:

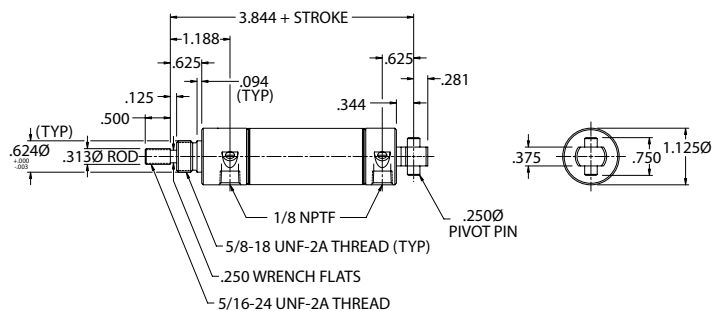
1/2", 1", 1-1/2", 2", 2-1/2", 3" with magnet, 4", 5", 6", 7", 8", 9", 10", 11", 12"

Maximum Stroke: 32"

Base Weight: .44 lbs., plus .04 lbs. per inch of stroke

*Optional Accessories:

- B-117005 Mounting Bracket
- B-029003 Pivot Bracket
- B-127004 Rod Clevis



Adjustable Cushion Cylinder Specifications

- Refer to specific bore size in standard cylinder section for specifications.

* See page 46-58 for accessory details.



Adjustable Cushion Cylinders

1-1/2" Bore Double Acting – B-1.500AFNM-00A

Front Nose Mount with Cushions

Available Stroke Lengths:

1/2", 1", 1-1/2", 2", 2-1/2", *3", *4", *5", *6", *7", *8", *9", *10", *11", *12"

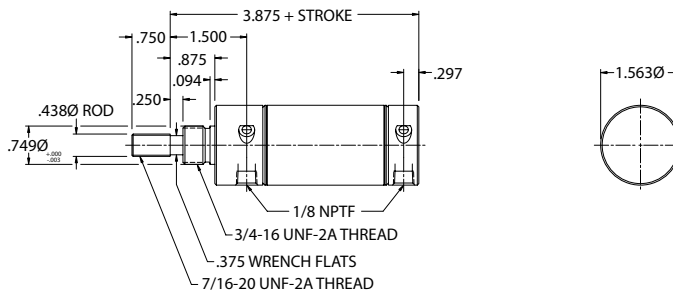
*with magnet

Maximum Stroke: 12"

Base Weight: .77 lbs., plus .09 lbs. per inch of stroke

*Optional Accessories:

- B-117007 Mounting Bracket
- B-127005 Rod Clevis



1-1/2" Bore Double Acting – B-1.500ARPM-00A

Rear Pivot Mount with Cushions

Standard Stroke Lengths:

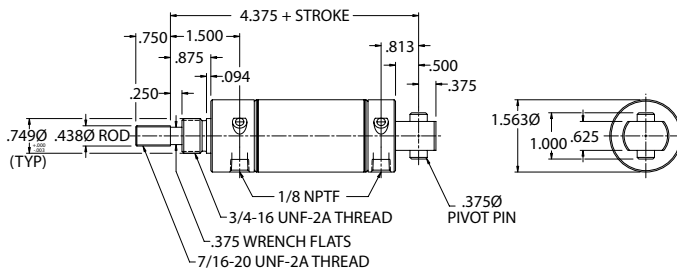
1/2", 1", 1-1/2", 2", 2-1/2", 3", 4", 5", 6", 7", 8", 9", 10", 11", 12"

Maximum Stroke: 32"

Base Weight: .77 lbs., plus .09 lbs. per inch of stroke

*Optional Accessories:

- B-029004 Pivot Bracket
- B-127005 Rod Clevis



2" Bore Double Acting – B-2.000AFNM-00A

Front Nose Mount with Cushions

Standard Stroke Lengths:

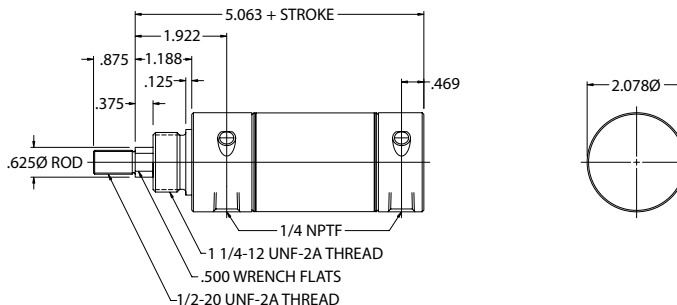
1/2", 1", 1-1/2", 2", 2-1/2", 3", 4", 5", 6"

Maximum Stroke: 12"

Base Weight: 1.64 lbs., plus .15 lbs. per inch of stroke

*Optional Accessories:

- B-117009 Mounting Bracket
- B-127006 Rod Clevis



2" Bore Double Acting – B-2.000ARPM-00A

Rear Pivot Mount with Cushions

Standard Stroke Lengths:

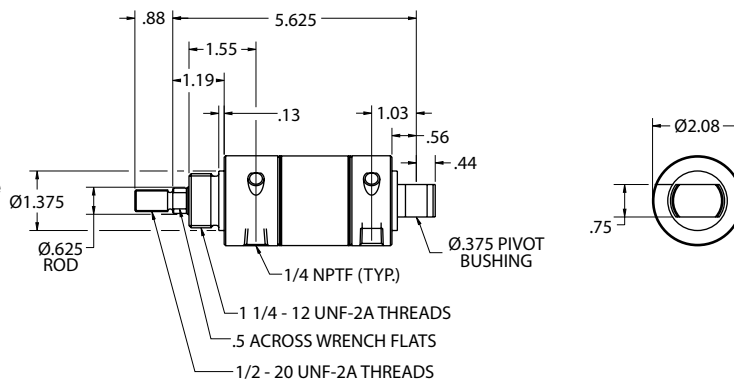
1/2", 1", 1-1/2", 2", 2-1/2", 3", 4", 5", 6"

Maximum Stroke: 32"

Base Weight: 1.68 lbs., plus .15 lbs. per inch of stroke

*Optional Accessories:

- B-117009 Mounting Bracket
- B-229005 Pivot Bracket
- B-127006 Rod Clevis



* See page 46-58 for accessory details.



Single Acting with Magnet Cylinders

Features

Single Acting B Series with a magnetic band on the piston for position sensing.



How To Order

B-0.563 SRNM-00 A-03

Series

B = "B" Series

Bore

0.563 = 9/16"

0.750 = 3/4"

1.062 = 1-1/16"

1.500 = 1-1/2"

2.000 = 2"

Mount

SRNM = Front Nose Mount

SRRP = Double Nose or Rear Pivot Mount

Options

03 = Magnetic Piston

Fractional Inches

A = 0"

I = 1/2"

Rear Stroke

Full Inches

00 = 0"

01 = 1"

02 = 2"



Single Acting with Magnet Cylinders

9/16" Bore Single Acting Spring Return – B-0.563SRNM-00A-03

Front Nose Mount with Magnetic Band

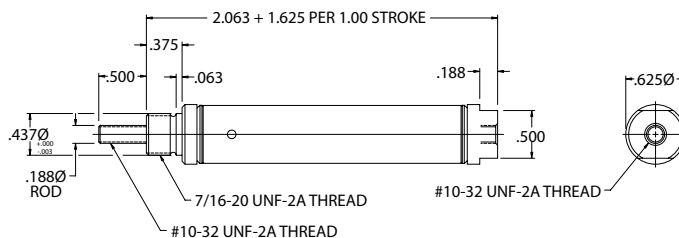
Standard Stroke Lengths:

1/2", 1", 1-1/2", 2", 2-1/2", 3", 4"

Maximum Stroke: 6"

*Optional Accessories:

- B-117003 Mounting Bracket
- B-127002 Rod Clevis



9/16" Bore Single Acting Spring Return – B-0.563SRRP-00A-03

Double Nose or Rear Pivot Mount with Magnetic Band

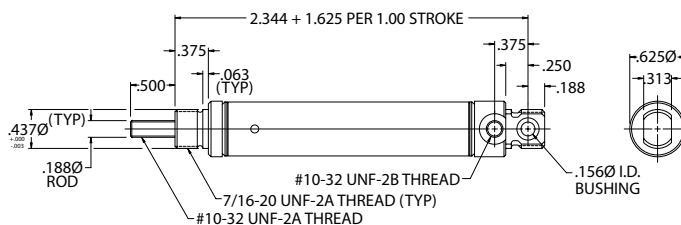
Standard Stroke Lengths:

1/2", 1", 1-1/2", 2", 2-1/2", 3", 4"

Maximum Stroke: 6"

*Optional Accessories:

- B-117003 Mounting Bracket
- B-129002 Pivot Bracket
- B-127002 Rod Clevis



3/4" Bore Single Acting Spring Return – B-0.750SRNM-00A-03

Front Nose Mount with Magnetic Band

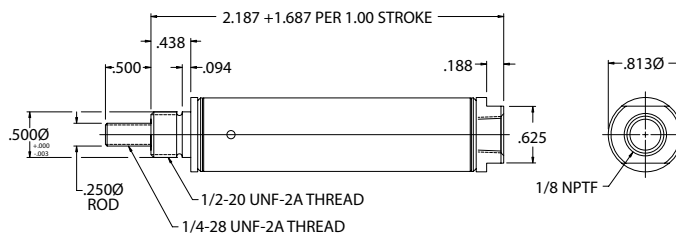
Standard Stroke Lengths:

1/2", 1", 1-1/2", 2", 2-1/2", 3", 4"

Maximum Stroke: 6"

*Optional Accessories:

- B-117006 Mounting Bracket
- B-127003 Rod Clevis



3/4" Bore Single Acting Spring Return – B-0.750SRRP-00A-03

Double Nose or Rear Pivot Mount with Magnetic Band

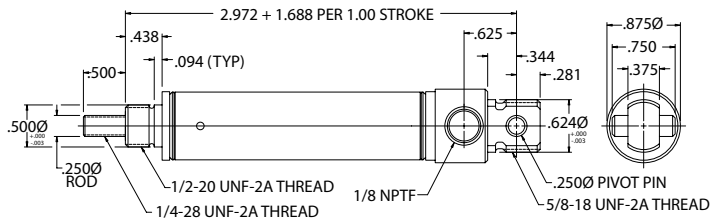
Standard Stroke Lengths:

1/2", 1", 1-1/2", 2", 2-1/2", 3", 4"

Maximum Stroke: 6"

*Optional Accessories:

- B-029003 Pivot Bracket
- B-127002 Rod Clevis





Single Acting with Magnet Cylinders

1-1/16" Bore Single Acting Spring Return – **B-1.062SRNM-00A-03**

Front Nose Mount with Magnetic Band

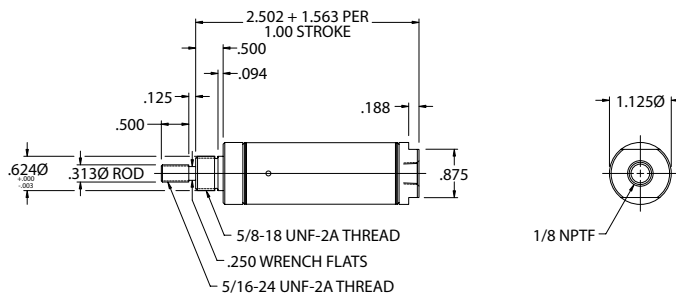
Standard Stroke Lengths:

1/2", 1", 1-1/2", 2", 2-1/2", 3", 4"

Maximum Stroke: 6"

*Optional Accessories:

- B-117003 Mounting Bracket
- B-127002 Rod Clevis



1-1/16" Bore Single Acting Spring Return – **B-1.062SRRP-00A-03**

Double Nose or Rear Pivot Mount with Magnetic Band

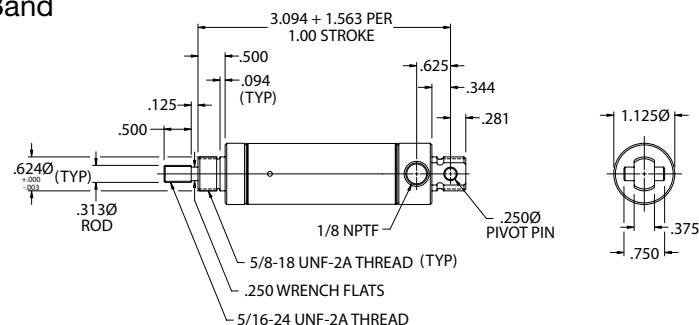
Standard Stroke Lengths:

1/2", 1", 1-1/2", 2", 2-1/2", 3", 4"

Maximum Stroke: 6"

*Optional Accessories:

- B-117003 Mounting Bracket
- B-129002 Pivot Bracket
- B-127002 Rod Clevis



1-1/2" Bore Single Acting Spring Return – **B-1.500SRNM-00A-03**

Front Nose Mount with Magnetic Band

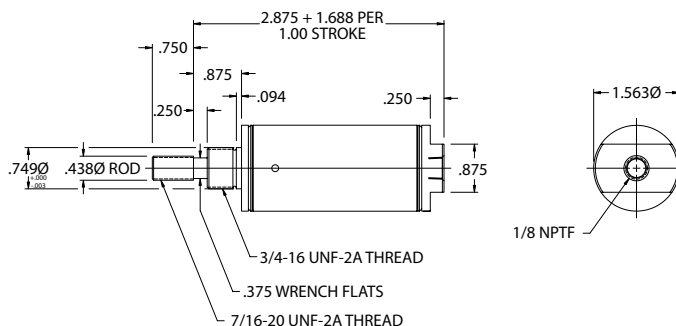
Standard Stroke Lengths:

1/2", 1", 1-1/2", 2", 2-1/2", 3", 4"

Maximum Stroke: 6"

*Optional Accessories:

- B-117007 Mounting Bracket
- B-127005 Rod Clevis



1-1/2" Bore Single Acting Spring Return – **B-1.500SRRP-00A-03**

Double Nose or Rear Pivot Mount with Magnetic Band

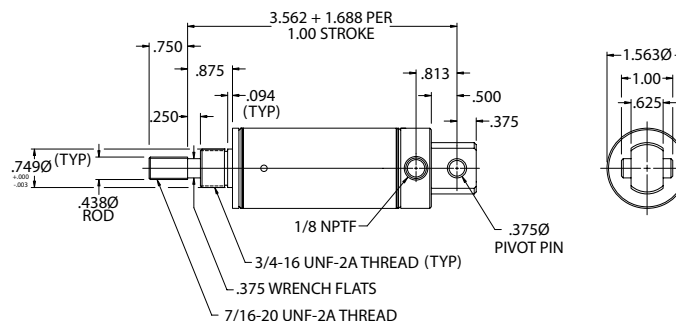
Standard Stroke Lengths:

1/2", 1", 1-1/2", 2", 2-1/2", 3", 4"

Maximum Stroke: 6"

*Optional Accessories:

- B-029004 Pivot Bracket
- B-127005 Rod Clevis



* See page 46-58 for accessory details.



Single Acting with Magnet Cylinders

2" Bore Single Acting Spring Return – **B-2.000SRNM-00A-03**

Front Nose Mount with Magnetic Band

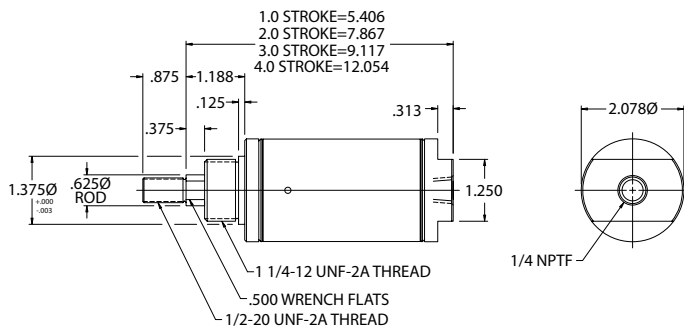
Standard Stroke Lengths:

1/2", 1", 1-1/2", 2", 2-1/2", 3", 4"

Maximum Stroke: 4"

*Optional Accessories:

- B-117009 Mounting Bracket
- B-127006 Rod Clevis



2" Bore Single Acting Spring Return – **B-2.000SRRP-00A-03**

Double Nose or Rear Pivot Mount with Magnetic Band

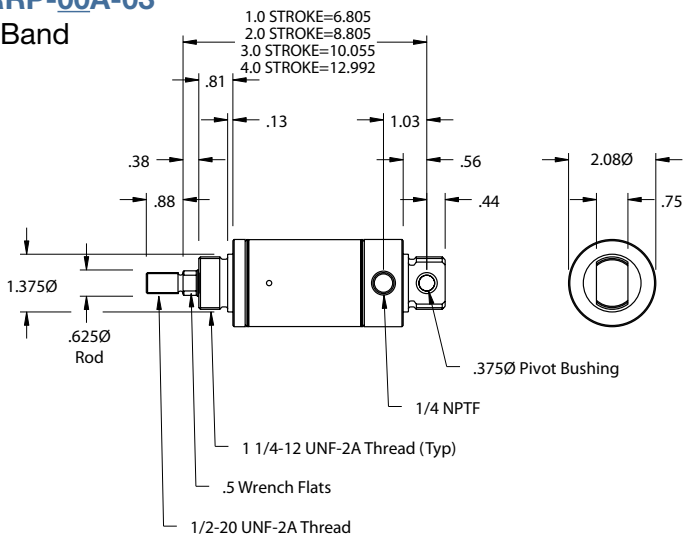
Standard Stroke Lengths:

1/2", 1", 1-1/2", 2", 2-1/2", **3"**, 4"

Maximum Stroke: 4"

*Optional Accessories:

- B-117009 Mounting Bracket
- B-129005 Pivot Bracket
- B-127006 Rod Clevis



* See page 46-58 for accessory details.

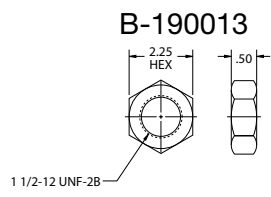
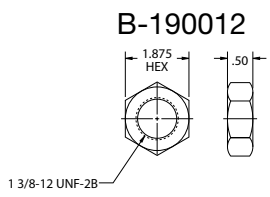
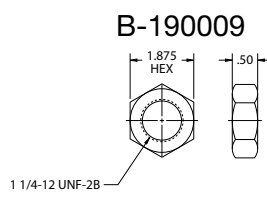
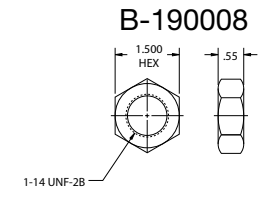
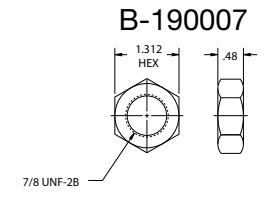
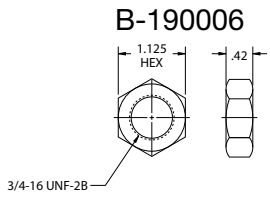
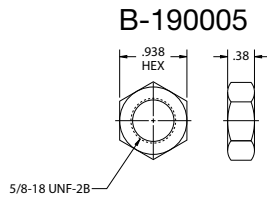
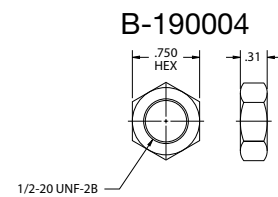
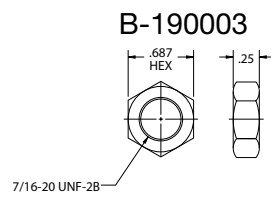
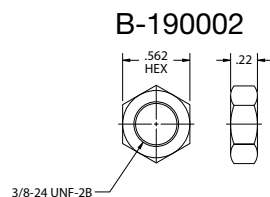
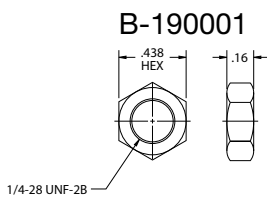


Mounting Nuts

Mounting Nuts Included on Cylinder

BORE	SRNM	SRRP	DFNM	DRPM	DTRM	DDNM	AFNM	ARPM	SNNM	SNRP	SENM
0.313	Yes	No	Yes	No	Yes	Yes	N/A	N/A	N/A	N/A	Yes
0.438	Yes	No	Yes	No	Yes	Yes	N/A	N/A	Yes	No	Yes
0.563	Yes	No	Yes	No	Yes	Yes	N/A	N/A	Yes	No	Yes
0.750	Yes	No	Yes	No	Yes	Yes	Yes	No	Yes	No	Yes
0.875	Yes	No	Yes	No	Yes	Yes	N/A	N/A	Yes	No	Yes
1.062	Yes	No	Yes	No	Yes	Yes	Yes	No	Yes	No	Yes
1.250	Yes	No	Yes	No	Yes	Yes	N/A	N/A	Yes	No	Yes
1.500	Yes	No	Yes	No	Yes	Yes	Yes	No	Yes	No	Yes
1.750	Yes	No	Yes	No	Yes	Yes	N/A	N/A	N/A	N/A	Yes
2.000	Yes	No	Yes	No	Yes	Yes	Yes	N/A	N/A	N/A	Yes
2.500	N/A	N/A	No	No	No	No	N/A	N/A	N/A	N/A	N/A
3.000	N/A	N/A	No	No	No	No	N/A	N/A	N/A	N/A	N/A

BORE	SENM	DFBM	DTNM	DTRH
0.313	No	N/A	N/A	N/A
0.438	No	N/A	N/A	N/A
0.563	No	N/A	N/A	N/A
0.750	No	No Thread	No Thread	N/A
0.875	No	N/A	N/A	N/A
1.062	No	No Thread	No Thread	Yes
1.250	No	N/A	N/A	Yes
1.500	No	No Thread	No Thread	Yes
1.750	No	N/A	N/A	N/A
2.000	No	N/A	N/A	N/A
2.500	N/A	N/A	N/A	N/A
3.000	N/A	N/A	N/A	N/A

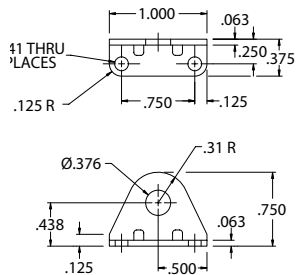




Nose Mounting Brackets

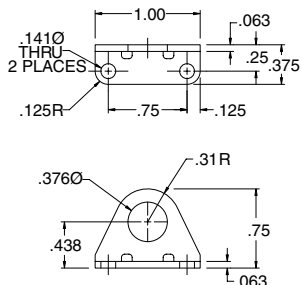
B-117001

Single Acting 5/16" Bore



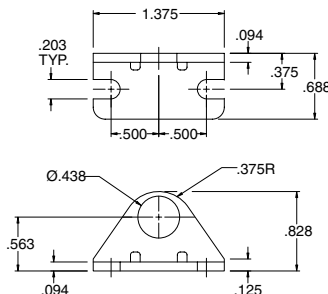
B-117002

Double Acting 5/16" Bore



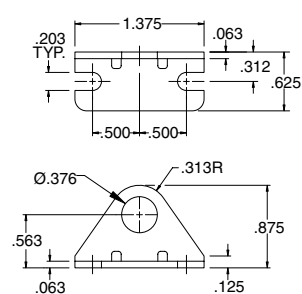
B-117003

7/16" and 9/16" Bore



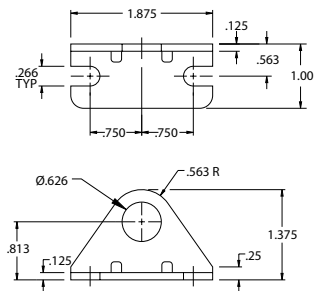
B-117004

Single Acting 7/16" Bore



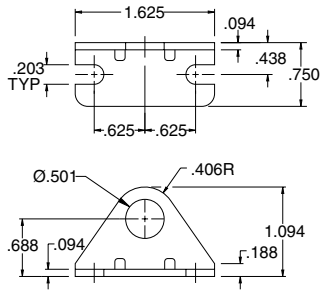
B-117005

3/4", 7/8" and 1-1/16" Bore



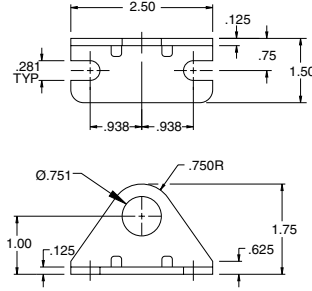
B-117006

Single Acting 3/4" Bore



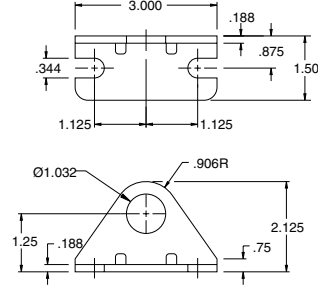
B-117007

1-1/4" and 1-1/2" Bore



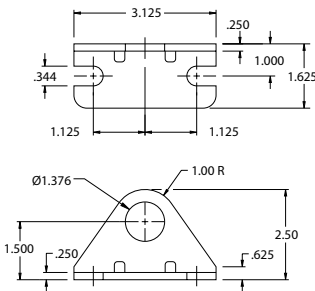
B-117008

1-3/4" Bore



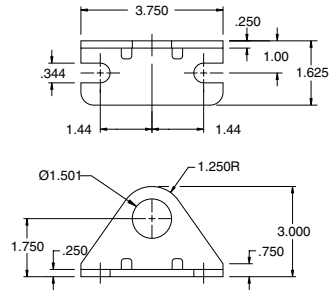
B-117009

2" Bore



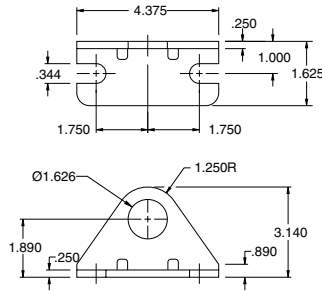
B-117010

2-1/2" Bore



B-117011

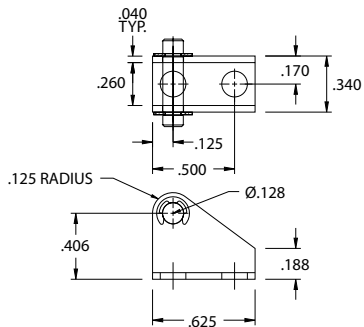
3" Bore



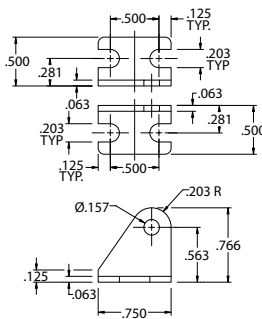


Pivot Mounting Brackets

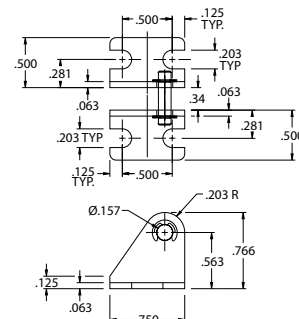
B-129001
5/16" Bore



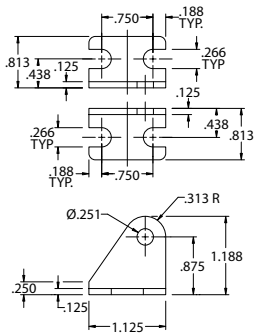
B-029002
7/16" Bore



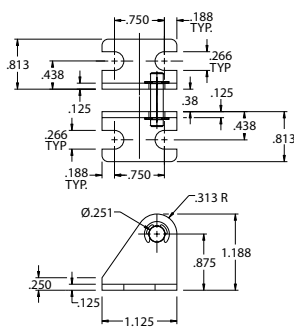
B-129002
9/16" Bore



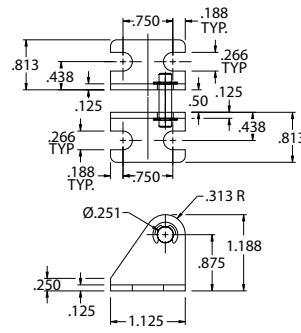
B-029003
3/4", 7/8" and 1-1/16" Bore



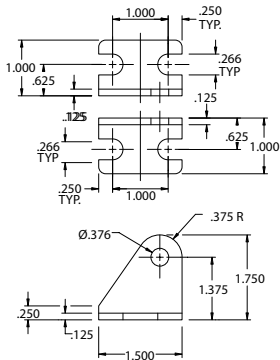
B-129003
3/4", 7/8" and 1-1/16" Bore



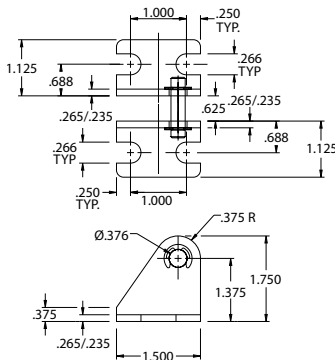
B-229003
1-1/4" Bore



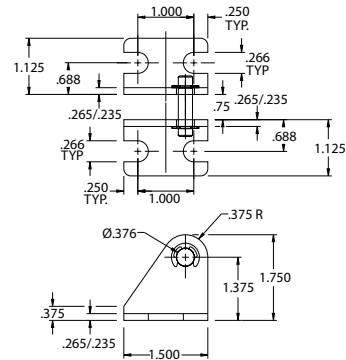
B-029004
1-1/2" Bore



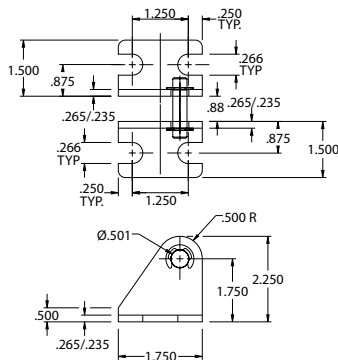
B-129005
1-3/4" Bore



B-229005
2 and 2-1/2" Bore



B-229006
3" Bore

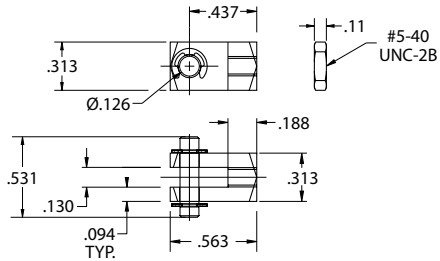




Rod Clevis

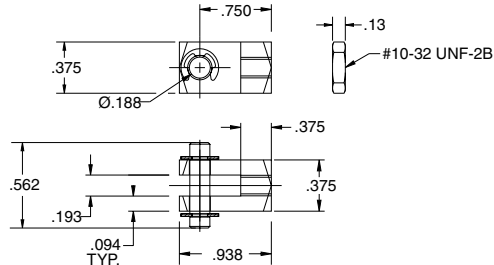
B-127001

5/16" Bore



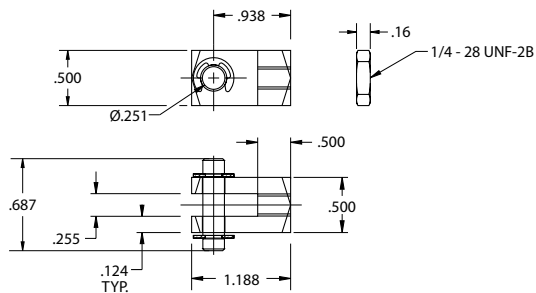
B-127002

7/16" and 9/16" Bore



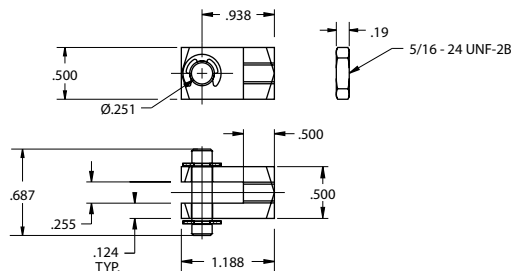
B-127003

3/4" and 7/8" Bore



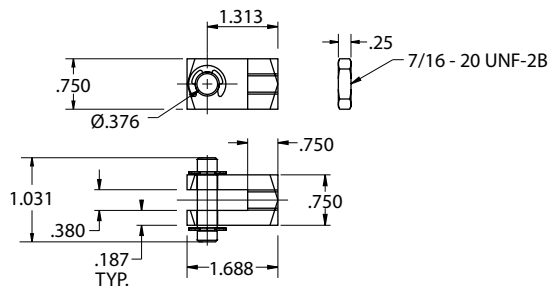
B-127004

1-1/16" Bore



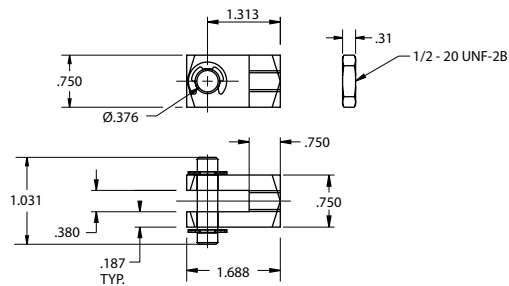
B-127005

1-1/4" and 1-1/2" Bore



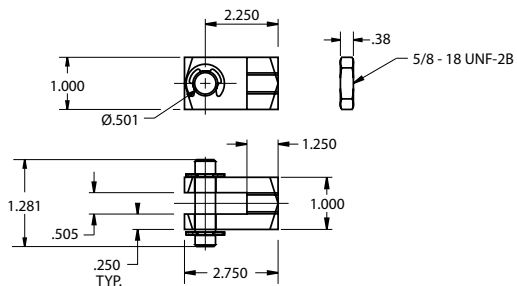
B-127006

1-3/4", 2" and 2-1/2" Bore



B-127007

3" Bore





UL-03 Series



MOUNTING CLAMP & BRACKET

PBK CLAMP

PAB CLAMP



Apply to: 6 ϕ to 63 ϕ round cylinder

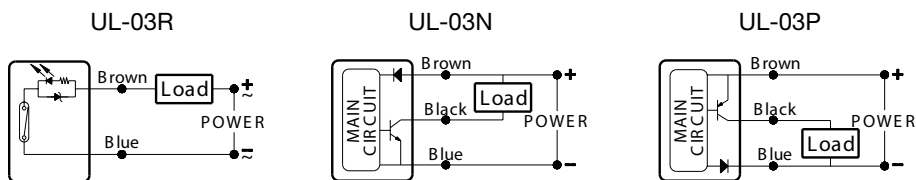
NOTE:

1. The max. Operating voltage of UL-15R-QD8is 60V AC/DC (based on IEC61076-2-101).
2. Measuring standard target: 15.5 * 8 * 5t (Anisotropic Rubber Magnet).
3. Sin Wave /X - -Y- -Z 3 Directions/3 Times Each Direction/ 11mS Each Time.
4. Double Amplitude 1.5mm / 10Hz~55Hz~10Hz (Sweep 1 min) / X - -Y- -Z 3 Directions / 1 Hour each Time.
5. All trademarks used in this catalogue are the property of their respective owners.

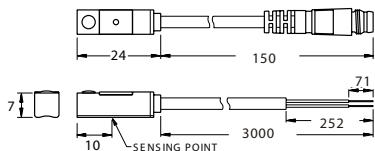
Specifications

CHARACTERISTIC / TYPE	UL-03R	UL-03N	UL-03P
Switching Logic	SPST Normally Open	Solid State Output, Normally Open	
Sensor Type	Reed Switch	NPN Current Sinking	PNP Current Sourcing
Operating Voltage (Note 1)	5-240V DC/AC	5-28V DC	
Switching Current	100 mA max.	200 mA max.	
Switching Rating	10 W max.	6 W max.	
Current Consumption	-	20 mA max. @ 24V (Switch Active)	18 mA max. @ 24V (Switch Active)
Voltage Drop	2.5 V max. @ 40mA DC	0.5 V max. @ 200 mA (Resistive Load)	
Leakage Current	-	0.01 mA max.	
Indicator	Red LED	Red LED	Green LED
Cable	2.8 ϕ , 2C, OIL RESISTANT PVC	2.8 ϕ , 3C, OIL RESISTANT PVC	
Sensitivity (Note 2)	60 Gauss		
Max. Switching Frequency	200 Hz	100 Hz	
Temperature Range	-10 ~ 70		
Shock (Note 3)	30 G	50 G	
Vibration (Note 4)	9 G		
Enclosure Classification	IP 67 (NEMA 6)		
Protection Circuit	Power Source Reverse Polarity ; Surge Suppression		

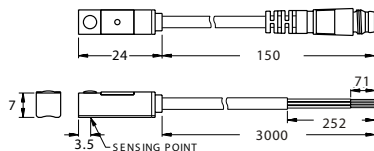
Wiring Diagram



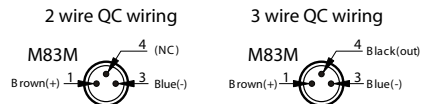
UL-03R-03
UL-03R-QC8



UL-03N(P)
UL-03N(P)-QC8



M8 (IEC1076-2-101)





UL-15 Series



MOUNTING CLAMP & BRACKET

PBK CLAMP

PAB CLAMP



Apply to: 6 ϕ to 63 ϕ round cylinder

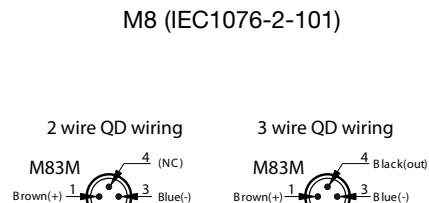
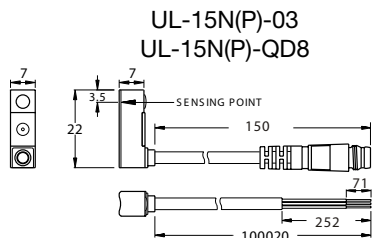
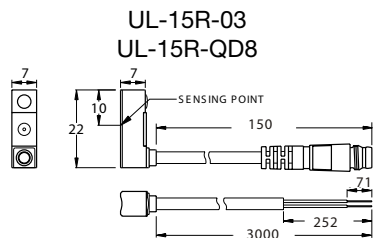
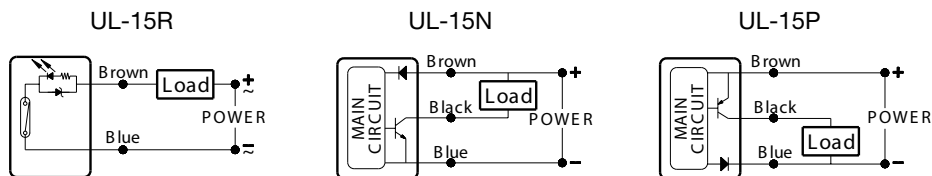
NOTE:

1. The max. Operating voltage of UL-15R-QD8 is 60V AC/DC (based on IEC61076-2-101).
2. Measuring standard target: 15.5 * 8 * 5t (Anisotropic Rubber Magnet).
3. Sin Wave / X - -Y- -Z 3 Directions/3 Times Each Direction/ 11mS Each Time.
4. Double Amplitude 1.5mm / 10Hz~55Hz~10Hz (Sweep 1 min) / X - -Y- -Z 3 Directions / 1 Hour each Time.
5. All trademarks used in this catalogue are the property of their respective owners.

Specifications

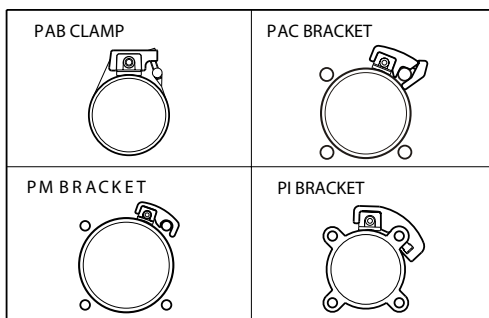
CHARACTERISTIC / TYPE	UL-15R	UL-15N	UL-15P
Switching Logic	SPST Normally Open	Solid State Output, Normally Open	
Sensor Type	Reed Switch	NPN Current Sinking	PNP Current Sourcing
Operating Voltage (Note 1)	5-240V DC/AC	5-28V DC	
Switching Current	100 mA max.	200 mA max.	
Switching Rating	10 W max.	6 W max.	
Current Consumption	-	20 mA max. @ 24V (Switch Active)	18 mA max. @ 24V (Switch Active)
Voltage Drop	2.5 V max. @ 40mA DC	0.5 V max. @ 200 mA (Resistive Load)	
Leakage Current	-	0.01 mA max.	
Indicator	Red LED	Red LED	Green LED
Cable	2.8 ϕ , 2C, OIL RESISTANT PVC	2.8 ϕ , 3C, OIL RESISTANT PVC	
Sensitivity (Note 2)	60 Gauss		
Max. Switching Frequency	200 Hz	100 Hz	
Temperature Range	-10 ~ 70		
Shock (Note 3)	30 G	50 G	
Vibration (Note 4)	9 G		
Enclosure Classification	IP 67 (NEMA 6)		
Protection Circuit	Power Source Reverse Polarity ; Surge Suppression		

Wiring Diagram





UL-20 Series



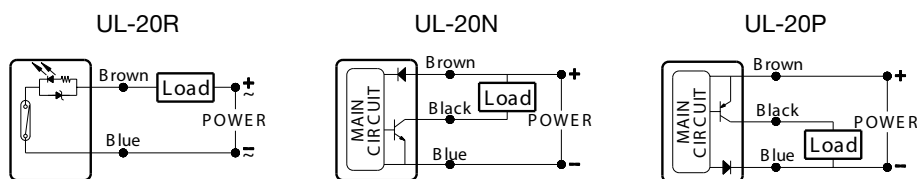
NOTE:

1. The max. Operating voltage of UL-15R-QD8is 60V AC/DC (based on IEC61076-2-101).
2. Measuring standard target: 15.5 * 8 *5t (Anisotropic Rubber Magnet).
3. Sin Wave /X - -Y- -Z 3 Directions/3 Times Each Direction/ 11mS Each Time.
4. Double Amplitude 1.5mm / 10Hz~55Hz~10Hz (Sweep 1 min) / X - -Y- -Z 3 Directions / 1 Hour each Time.
5. All trademarks used in this catalogue are the property of their respective owners.

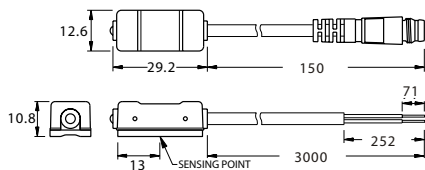
Specifications

CHARACTERISTIC / TYPE	UL-20R	UL-20N	UL-20P
Switching Logic	SPST Normally Open	Solid State Output, Normally Open	
Sensor Type	Reed Switch	NPN Current Sinking	PNP Current Sourcing
Operating Voltage (Note 1)	5-240V DC/AC	5-28V DC	
Switching Current	100 mA max.	200 mA max.	
Switching Rating	10 W max.	6 W max.	
Current Consumption	-	15 mA max. @ 24V (Switch Active)	16 mA max. @ 24V (Switch Active)
Voltage Drop	2.5 V max. @ 100mA DC	1.5 V max. @ 200 mA (Resistive Load)	
Leakage Current	-	0.01 mA max.	
Indicator	Red LED	Red LED	Green LED
Cable	4.0\$, 2C, OIL RESISTANT PVC	4.0\$, 3C, OIL RESISTANT PVC	
Sensitivity (Note 2)	70 Gauss	60 Gauss	
Max. Switching Frequency	200 Hz	100 Hz	
Temperature Range	-10 ~ 70		
Shock (Note 3)	30 G	50 G	
Vibration (Note 4)	9 G		
Enclosure Classification	IP 67 (NEMA 6)		
Protection Circuit	-	Power Source Reverse Polarity ; Surge Suppression; O/P Short Circuit Protect	

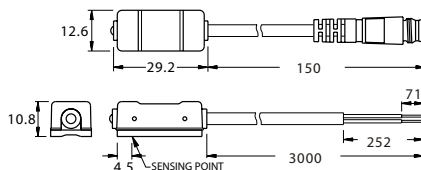
Wiring Diagram



UL-20R-03
UL-20R-QC8



UL-20N(P)-03
UL-20N(P)-QC8

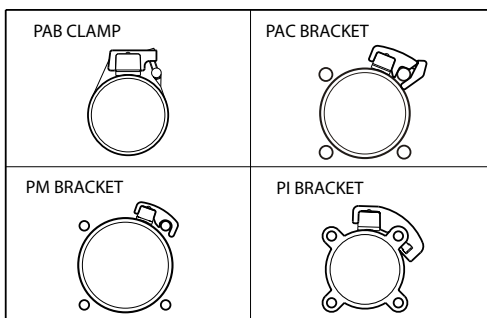


M8 (IEC1076-2-101)





UL-21 Series



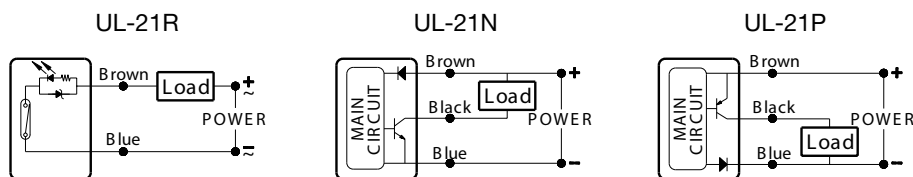
NOTE:

1. The max. Operating voltage of UL-15R-QD8is 60V AC/DC (based on IEC61076-2-101).
2. Measuring standard target: 15.5 * 8 *5t (Anisotropic Rubber Magnet).
3. Sin Wave /X - -Y- -Z 3 Directions/3 Times Each Direction/ 11mS Each Time.
4. Double Amplitude 1.5mm / 10Hz~55Hz~10Hz (Sweep 1 min) / X - -Y- -Z 3 Directions / 1 Hour each Time.
5. All trademarks used in this catalogue are the property of their respective owners.

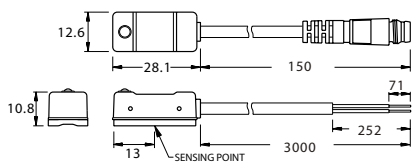
Specifications

CHARACTERISTIC / TYPE	UL-21R	UL-21N	UL-21P
Switching Logic	SPST Normally Open	Solid State Output, Normally Open	
Sensor Type	Reed Switch	NPN Current Sinking	PNP Current Sourcing
Operating Voltage (Note 1)	5-240V DC/AC	5-28V DC	
Switching Current	100 mA max.	200 mA max.	
Switching Rating	10 W max.	6 W max.	
Current Consumption	-	15 mA max. @ 24V (Switch Active)	16 mA max. @ 24V (Switch Active)
Voltage Drop	2.5 V max. @ 100mA DC	1.5 V max. @ 200 mA (Resistive Load)	
Leakage Current	-	0.01 mA max.	
Indicator	Red LED	Red LED	Green LED
Cable	4.0\$, 2C, OIL RESISTANT PVC	4.0\$, 3C, OIL RESISTANT PVC	
Sensitivity (Note 2)	70 Gauss	60 Gauss	
Max. Switching Frequency	200 Hz	100 Hz	
Temperature Range	-10 ~ 70		
Shock (Note 3)	30 G	50 G	
Vibration (Note 4)	9 G		
Enclosure Classification	IP 67 (NEMA 6)		
Protection Circuit	-	Power Source Reverse Polarity ; Surge Suppression; O/P Short Circuit Protect	

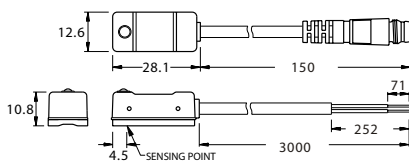
Wiring Diagram



UL-21R-03
UL-21R-QC8



UL-21N(P)-03
UL-21N(P)-QC8



M8 (IEC1076-2-101)





UL-30 Series



PAB CLAMP



Apply to 60 to 63Ø Round Cylinder

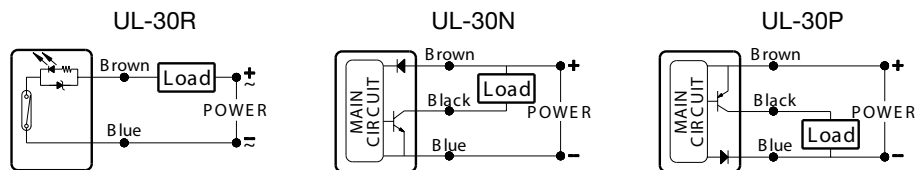
NOTE:

1. The max. Operating voltage of UL-15R-QD8is 60V AC/DC (based on IEC61076-2-101).
2. Measuring standard target: 15.5 * 8 * 5t (Anisotropic Rubber Magnet).
3. Sin Wave /X - -Y- -Z 3 Directions/3 Times Each Direction/ 11mS Each Time.
4. Double Amplitude 1.5mm / 10Hz~55Hz~10Hz (Sweep 1 min) / X - -Y- -Z 3 Directions / 1 Hour each Time.
5. All trademarks used in this catalogue are the property of their respective owners.

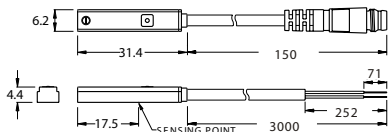
Specifications

CHARACTERISTIC / TYPE	UL-30R	UL-30N	UL-30P
Switching Logic	SPST Normally Open	Solid State Output, Normally Open	
Sensor Type	Reed Switch	NPN Current Sinking	PNP Current Sourcing
Operating Voltage (Note 1)	5-240V DC/AC	5-28V DC	
Switching Current	100 mA max.	200 mA max.	
Switching Rating	10 W max.	6 W max.	
Current Consumption	-	19 mA max. @ 24V (Switch Active)	16 mA max. @ 24V (Switch Active)
Voltage Drop	2.5 V max. @ 100mA DC	1.5 V max. @ 200 mA (Resistive Load)	
Leakage Current	-	0.01 mA max.	
Indicator	Red LED	Red LED	Green LED
Cable	2.8\$, 2C, OIL RESISTANT PVC	2.8\$, 3C, OIL RESISTANT PVC	
Sensitivity (Note 2)	45 Gauss	40 Gauss	
Max. Switching Frequency	200 Hz	100 Hz	
Temperature Range	-10 ~ 70		
Shock (Note 3)	30 G	50 G	
Vibration (Note 4)	9 G		
Enclosure Classification	IP 67 (NEMA 6)		
Protection Circuit	-	Power Source Reverse Polarity ; Surge Suppression; O/P Short Circuit Protect	

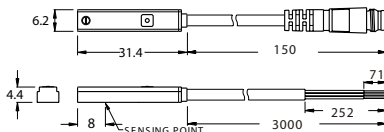
Wiring Diagram



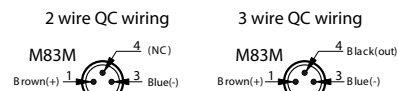
UL-30R-03
UL-30R-QC8



UL-30N(P)-03
UL-30N(P)-QC8



M8 (IEC1076-2-101)





UL-33 Series



PAB CLAMP



Apply to 60 to 63Ø Round Cylinder

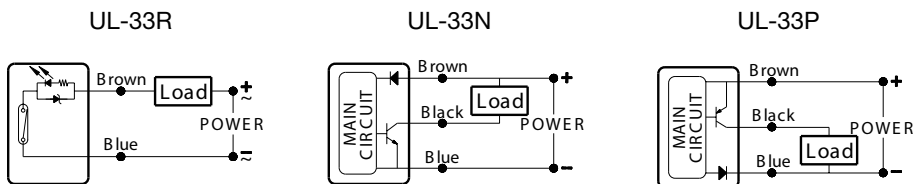
NOTE:

1. The max. Operating voltage of UL-15R-QD8is 60V AC/DC (based on IEC61076-2-101).
2. Measuring standard target: 15.5 * 8 *5t (Anisotropic Rubber Magnet).
3. Sin Wave /X - -Y- -Z 3 Directions/3 Times Each Direction/ 11mS Each Time.
4. Double Amplitude 1.5mm / 10Hz~55Hz~10Hz (Sweep 1 min) / X - -Y- -Z 3 Directions / 1 Hour each Time.
5. All trademarks used in this catalogue are the property of their respective owners.

Specifications

CHARACTERISTIC / TYPE	UL-33R	UL-33N	UL-33P
Switching Logic	SPST Normally Open	Solid State Output, Normally Open	
Sensor Type	Reed Switch	NPN Current Sinking	PNP Current Sourcing
Operating Voltage (Note 1)	5-240V DC/AC	5-28V DC	
Switching Current	100 mA max.	200 mA max.	
Switching Rating	10 W max.	6 W max.	
Current Consumption	-	15 mA max. @ 24V (Switch Active)	16 mA max. @ 24V (Switch Active)
Voltage Drop	2.5 V max. @ 100mA DC	1.5 V max. @ 200 mA (Resistive Load)	
Leakage Current	-	0.01 mA max.	
Indicator	Red LED	Red LED	Green LED
Cable	4.0\$, 2C, OIL RESISTANT PVC	4.0\$, 3C, OIL RESISTANT PVC	
Sensitivity (Note 2)	70 Gauss	60 Gauss	
Max. Switching Frequency	200 Hz	100 Hz	
Temperature Range	-10 ~ 70		
Shock (Note 3)	30 G	50 G	
Vibration (Note 4)	9 G		
Enclosure Classification	IP 67 (NEMA 6)		
Protection Circuit	-	Power Source Reverse Polarity ; Surge Suppression; O/P Short Circuit Protect	

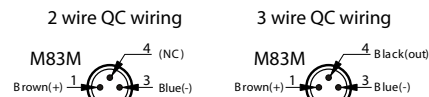
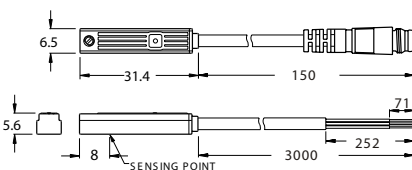
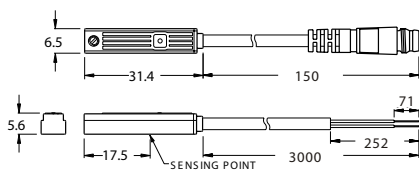
Wiring Diagram



UL-33R-03
UL-33R-QC8

UL-333N(P)-03
UL-33N(P)-QC8

M8 (IEC1076-2-101)





PAB, PBS, PBT

PAB CLAMP

Mounting UL-20 & UL-21 series on Round Cylinder



PAB	Step 1	Step 2	Step 3	Step 4
<p>PAB-01 For 12 $\frac{5}{16}$ ~ 63 $\frac{5}{16}$ round cylinder use</p> <p>PAB-02 For 12 $\frac{5}{16}$ ~ 125 $\frac{5}{16}$ round cylinder use</p>	<p>Start by keeping screw 3 to 4 turns into barrel nut on the end of the band assembly.</p>	<ol style="list-style-type: none"> Place the screw head into the clamp and wrap the band around the cylinder. Position the pin with the nearest hole on the band and mark the hole with a permanent marker. 	<ol style="list-style-type: none"> Remove clamp assembly. Cut the band at next 2 adjacent hole from marked hole. 	<ol style="list-style-type: none"> Insert cut end of the band into flat slot opposite from the clamp slot. Place the chosen hole over the pin and bend the band firmly down with thumb pressure. Wrap the band around cylinder barrel and re-insert screw Head into clamp. Position the switch and tighten.
				<p>ATTENTION! Do not over tighten! Damage to the switch and/or cylinder may occur.</p>

PBS CLAMP

PBS Mounting UL-33 series on Round Cylinder

PBT CLAMP

PBT Mounting UL-30 & UL-31 series on Round Cylinder

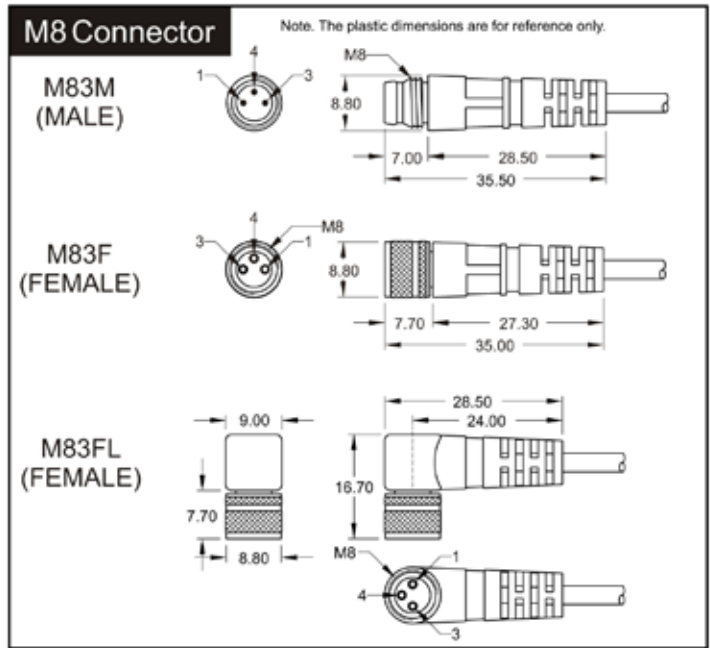
⇒ PBS clamp and PBT clamp are similar, and have the same instructions as below



PBS/PBT	Step 1	Step 2	Step 3	Step 4
<p>PBS-01 PBT-01 For 6 $\frac{5}{16}$ ~ 63 $\frac{5}{16}$ round cylinder use</p> <p>PBS-02 PBT-02 For 6 $\frac{5}{16}$ ~ 125 $\frac{5}{16}$ round cylinder use</p>	<p>Start by keeping screw 3 to 4 turns into barrel nut on the end of the band assembly.</p>	<ol style="list-style-type: none"> Place the screw head into the clamp and wrap the band around the cylinder. Position the pin with the nearest hole on the band and mark the hole with a permanent marker. 	<ol style="list-style-type: none"> Remove clamp assembly. Cut the band at next 1 adjacent hole from marked hole. 	<ol style="list-style-type: none"> Insert cut end of the band into flat slot opposite from the clamp slot. Place the chosen hole over the pin and bend the band firmly down with thumb pressure. Wrap the band around cylinder barrel and re-insert screw Head into clamp. Position the switch and tighten.
				<p>ATTENTION! Do not over tighten! Damage to the switch and/or cylinder may occur.</p>



M8



Specifications

CHARACTERISTIC / TYPE	M83M	M83F	M83FL
Connector Type	M8 3PIN Male (Straight)	M8 3PIN Female (Straight)	M8 3PIN Female (right-angle)
Lead Wire Color	PIN 1: Brown, PIN 3: Blue, PIN 4: Black		
Max. Operating Voltage	60V AC/DC		
Max. Rating Current	3A		
Insulation Between Contacts	1.0 KV		
Insulation Between Contacts and Metal Housing	0.85 KV		
Pin Coating			5M Gold Coating
Number of Mechanical Operations			Over 100 times
Temperature Range			-25
Cable Tension Force In Connected			30 N
IP Degree Protection			IP 67 (IEC 60529)
Standard			IEC 61076-2-101



Female Quick Connector Ordering Information

Special Type Orders Available

M 83FL - 4 B - 3

Cable Length

- 01 : The length of cable is 1 M
- 03 : **The length of cable is 3 M (Standard Length)**
- : : :
- 05 : The length of cable is 5 M

Cable Color

- B : **Color of Cable is Black, 3 Wire (Standard Color)**
- G : Color of Cable is Gray, 2 Wire

Connector Type

- 83F : M8*3PIN Female Connector, Straight direction Outlet
- 83FL : M8*3PIN Female Connector, Angle direction Outlet

Cable Diameter

- 2.9 : Cable Diameter is 2.9 mm
- 3.3 : Cable Diameter is 3.3 mm
- 4 : **Cable Diameter is 4.0 (Standard Diameter)**

ROUND CYLINDER

